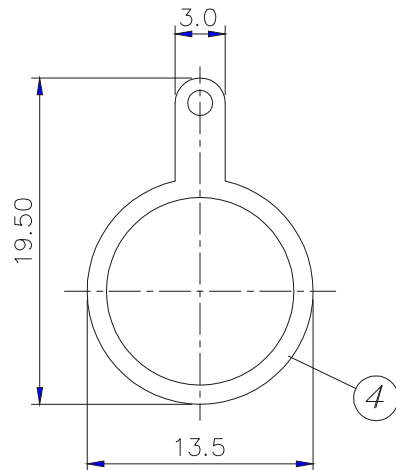
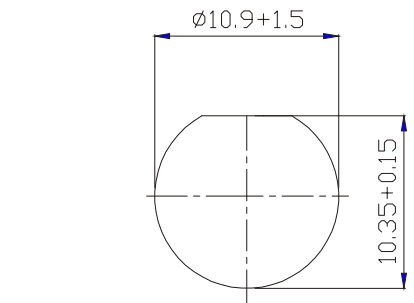
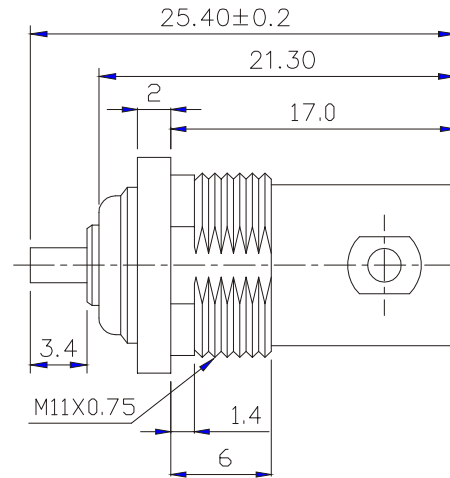


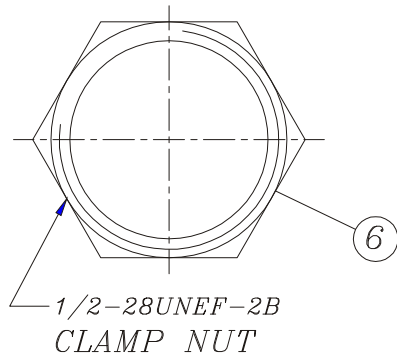
LOCK WASHER



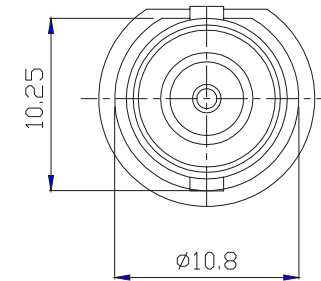
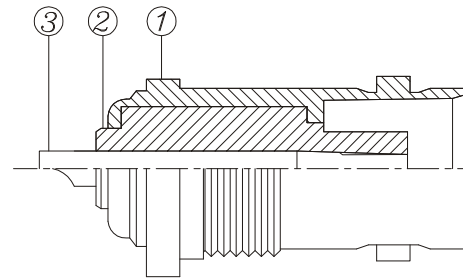
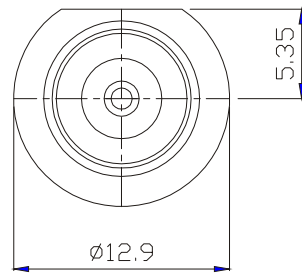
SOLDER TAG



RECOMMENDED MOUNTING HOLE



CLAMP NUT



MATERIAL & FINISH

- ① BODY : ZINC ALLOY, NICKEL PLATING
- ② INSULATOR : POM
- ③ CENTER CONTACT : BRASS, GOLD PLATING
- ④ SOLDER TAG : STEEL, NICKEL PLATING
- ⑤ WASHER : IRON, NICKEL PLATING
- ⑥ NUT : BRASS, NICKEL PLATING

BNC-JSPBZANTW-75-LF
LEADFREE

RoHS Compliant



PART NO. BNC-JSPBZANTW-75		CHECKED BY CY	TOLERANCES ARE .X ± 0.2 .XX ± .XXX ± AWG	DESCRIP TION: 75Ω BNC RECEPTACLES (JACK) REAR MOUNT WITH FITTING	AREA	REVISIONS	HK	DATE
DWG NO. BNC-JSPBZANTW-75								
FILE NO.		PROJECTION						
UNIT / mm	SCALE 1:1							

焯倫股份有限公司