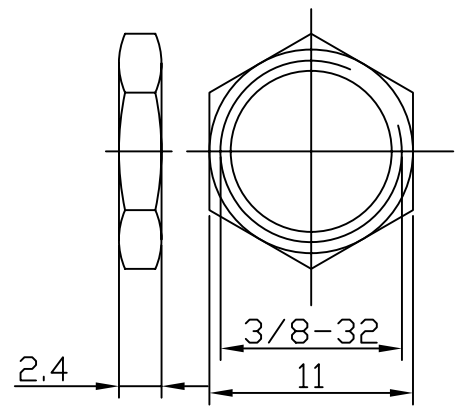
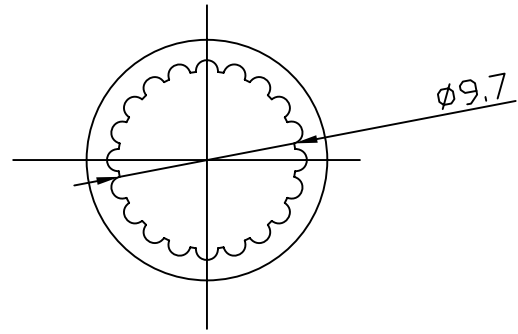
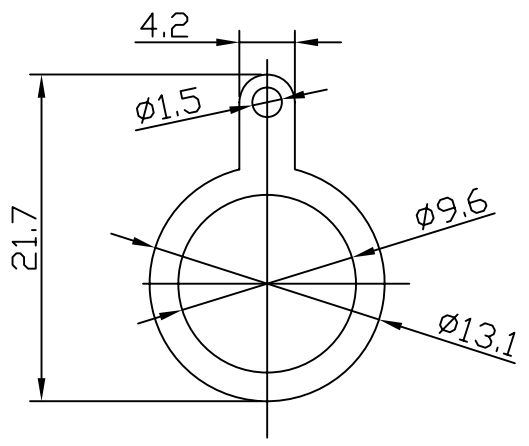
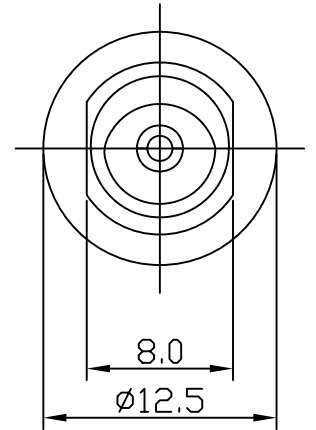
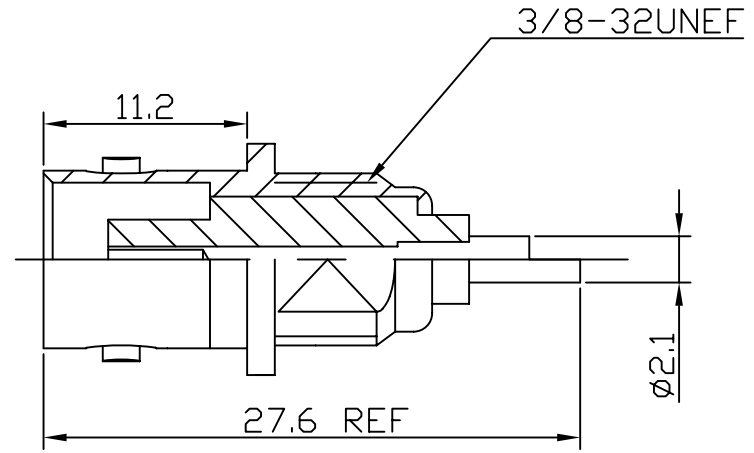


6	NUT	ZINC	NICKEL	1
5	WASHER	IRON	NICKEL	1
4	GROUND LUG	IRON	NICKEL	1
3	CENTER CONTACT	BRASS	GOLD	1
2	INSULATOR	DELFIN	WHITE	1
1	BODY	ZINE	NICKEL	1
NO	DESCRIPTION	MATERIAL	FINISH	QTY



BNC-JSPAZA-75-LF
LEADFREE

RoHS Compliant



PART NO. BNC-JSPAZA-75

DWG NO. BNC-JSPAZA-75

FILE NO.

UNIT / mm

SCALE 1:1

CHECKED BY CY

DRAWING BY

PROJECTION

UNLESS OTHERWISE SPECIFIED TOLERANCES	
0.5-5	±0.2
5-30	±0.4
30-120	±0.6
120-315	±1
315-1000	±1.6
1000-2000	±2.4

DESCRIPTION:

BNC FEMALE BULKHEAD

AREA

REVISIONS

HK

DATE

煜倫股份有限公司