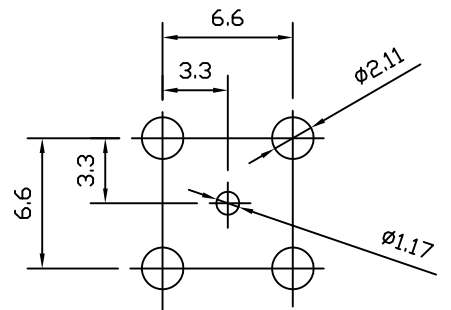
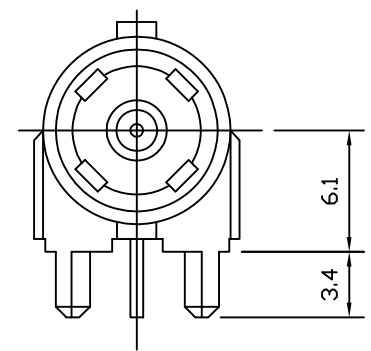


4	PIN	BRASS	GOLD	1
3	INSULATOR	POM	WHITE	2
2	BODY	ZINC	NICKEL	1
1	CENTER CONTACT	PHOSPHOR BRONZE	GOLD	1
NO	DESCRIPTION	MATERIAL	FINISH	QTY



PCB HOLE CONFIGURATION  
RECOMMENDED PANEL CUTOUTS

RoHS Compliant

TOLERANCES ARE

**MORETHANALL**  
PCB CONNECTORS  
Cable ASSEMBLIES

DRAWING BY CY

X. ±

CHECKED BY GENIUS

.X ±

UNIT / mm

SCALE 1 : 1

.XX ±

DATE

.XXX ±

ANG ±

煜倫股份有限公司

www.morethanall.com

SIZE A4

PPOJECTION



ORDER INFORMATION

BNC-JRM27-50-LF  
SERIES | | | LEADFREE  
50 OHM  
LONG 27.3mm  
METAL  
DIP 90°  
JACK

DESCRIPTION: BNC CONNECTORS 50 OHM