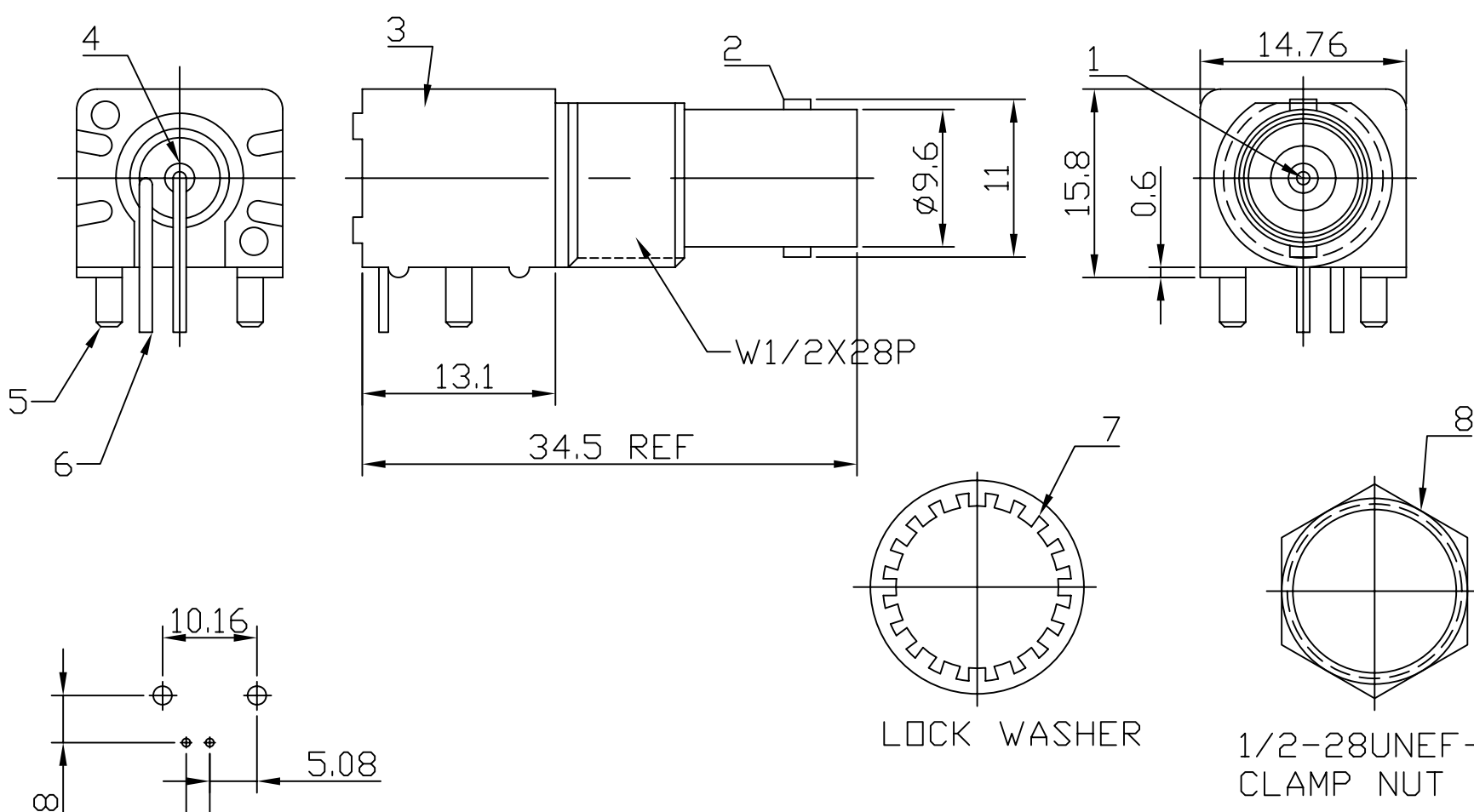


1 2 3 4 5 6 7 8 9 0

J I H G F E D C B A



LOCK WASHER
1/2-28UNEF-2B
CLAMP NUT

NO	DESCRIPTION	MATERIAL	FINISH	QTY
8	NUT	BRASS	NICKEL	1
7	WASHER	IRON	NICKEL	1
6	SOLDER TAIL	BRASS	TIN	1
5	MOUNTING POST	BRASS	TIN	1
4	INSULATOR	P.P	NONE	1
3	HOUSING	PBT	NONE	1
2	BODY	ZINC	NICKEL	1
1	CENTER CONTACT	BRASS	GOLD	1

MORETHANALL
CONNECTORS
ASSEMBLIES

PART NO. BNC-JR15WWH-75

DWG NO. BNC-JR15WWH-75

CHECKED BY CY

DRAWING BY

FILE NO.

UNIT / mm

SCALE 1:1

PROJECTION

UNLESS OTHERWISE SPECIFIED
TOLERANCES
0.5-5 =±0.2
6-30 =±0.4
30-120 =±0.6
120-315 =±1
315-1000 =±1.6
1000-2000 =±2.4

DESCRIPTION:
AREA

BNC CONNECTOR,
PCB/PANEL MOUNT JACKS
REVISIONS
HK
DATE

焯倫股份有限公司