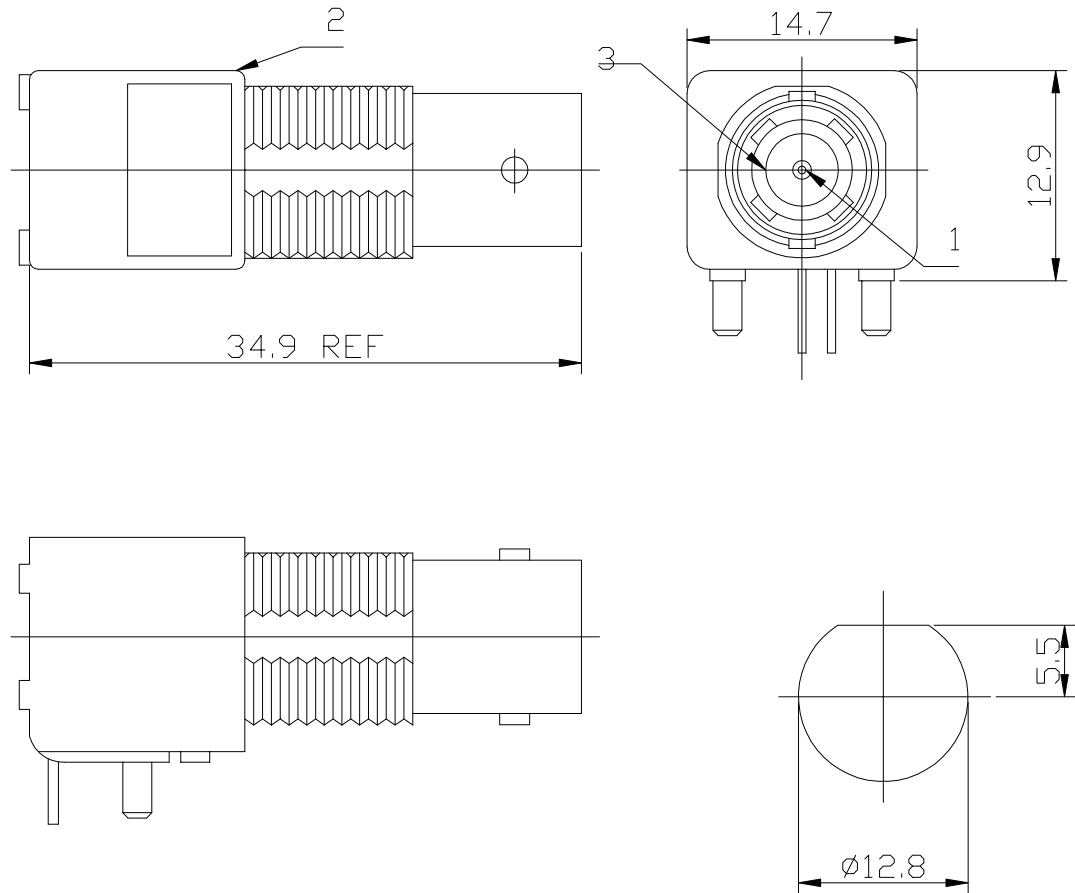


PCB HOLE CONFIGURATION  
RECOMMENDED PANEL CUTOUTS



NO	DESCRIPTION	MATERIAL	FINISH	QTY
5	PIN	COPPER	TIN	1
4	PIN	COPPER	TIN	1
3	INSULATOR	PDM	NONE	1
2	BODY	ZINC ALLOY	NICKEL	1
1	CENTER CONTACT	PHOSPHOR BRONZE	GOLD	1

RoHS Compliant

TOLERANCES ARE

**MORETHANALL**  
PCB CONNECTORS  
Cable ASSEMBLIES

DRAWING BY CY

CHECKED BY GENIUS

UNIT / mm

SCALE 1:1

DATE

SIZE A4

PJECTION

X.±  
.X±  
.XX±  
.XXX±  
ANG±



ORDER INFORMATION

**BNC-JR13XFM-xx-LF**  
SERIES | | | LEADFREE  
JACK | | | 50:50 OHM  
DIP 90° | | | 75:75 OHM  
NON NUT/WASHER  
HIGH 12.9mm

DESCRIPTION: BNC R/A PCB/PANEL MOUNT JACK, METAL BODY 50&75 OHM (不含配件)

煜倫股份有限公司

www.morethanall.com