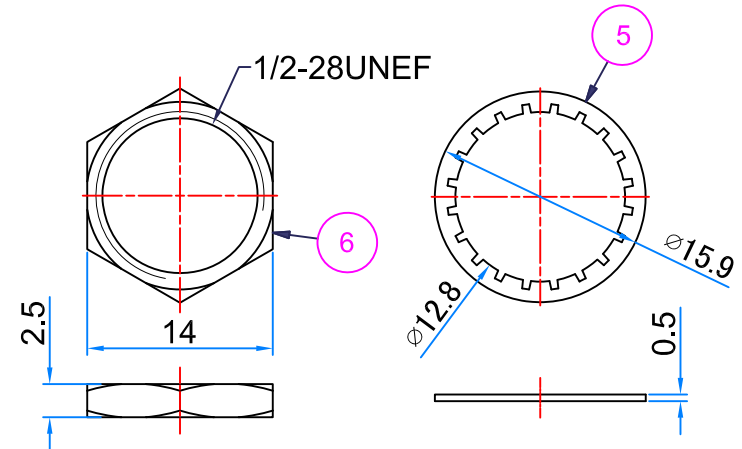
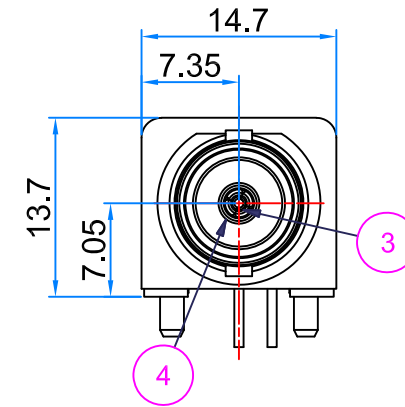
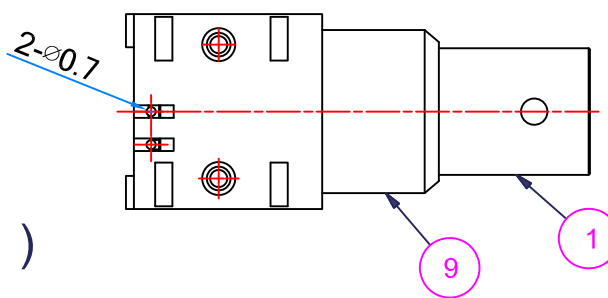
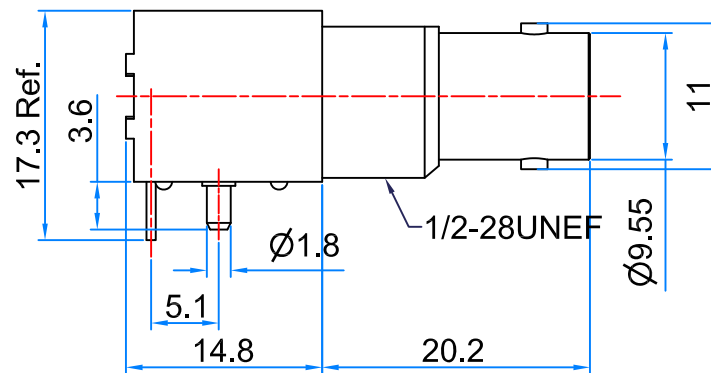


P.C.B Layout (1 : 1)



9	RJ-443-P-003-00	Body1	Bakelite	Black	1
8	BNC-156-01-M-003-00	Pin2	Brass	Au	1
7	BNC-156-01-M-002-00	Pin1	Brass	Sn	1
6	BNC-156-01-C-003-00	Nut	Brass	Ni	1
5	BNC-156-01-C-002-00	Washer	Steel	Ni	1
4	BNC-156-001-06	Insulator	電木	Black	1
3	BNC-156-001-05	Center Pin	Brass	Au	1
2	BNC-156-001-03-B0	Mointinc Post	Brass	Sn	2
1	BNC-153-03	Body2	Zinc Aolly	Ni	1
NO.	DARW NO.	TITLE	MATERIAL	FINISH	Q'TY

RoHS Compliant

TOLERANCES ARE

MORETHANALL
PCB CONNECTORS
Cable ASSEMBLIES

煜倫股份有限公司

www.morethanall.com

DRAWING BY CY

CHECKED BY GENIUS

UNIT / mm

SCALE 1 : 1

DATE

SIZE A4

PJECTION

X, ±
.X ± 0.30
.XX ± 0.20
.XXX ± 0.10
ANG ±

照片框

ORDER INFORMATION

BNC-JR13WBK-xx-LF
SERIES JACK DIP 90°
LEADFREE
50:50 OHM
75:75 OHM
BLACK
NUT+WASHER
HIGH 13.1mm

DESCRIPTION: