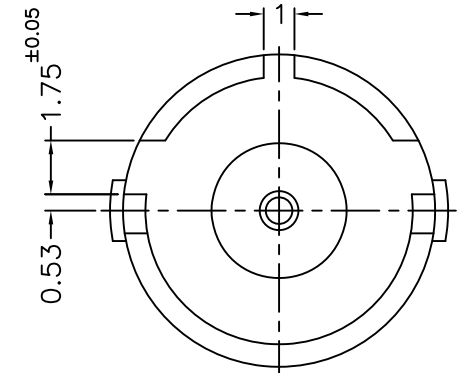
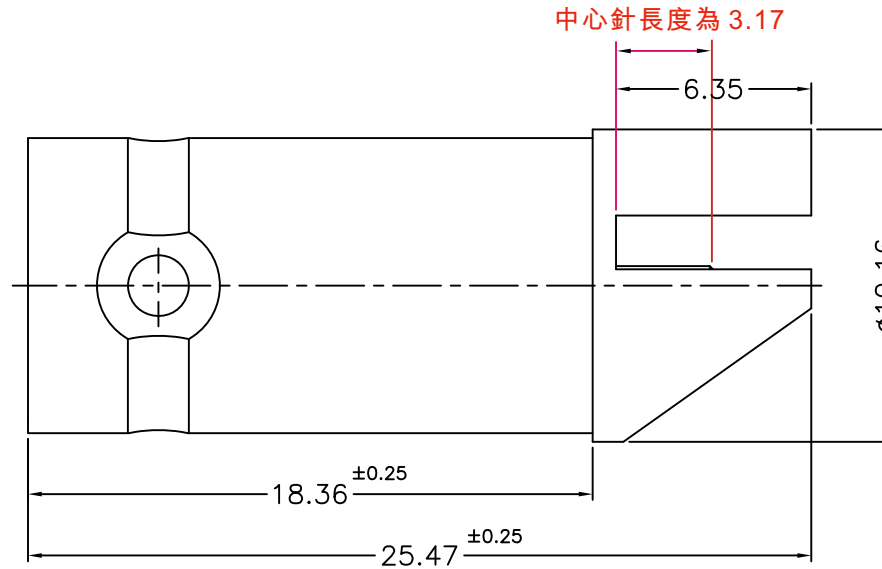


RECOMMENDED
PCB LAYOUT



NOTES: FINISH (PLATING THICKNESS IN MICRO-INCHES)

1. BRASS
2. THIN GOLD OVER NICKEL PL. 50 MIN. THICK OVER COPPER PL. 50 MIN. THICK
3. PHOSPHOR BRONZE
4. GOLD PL. 3 MIN. THICK OVER NICKEL PL. 50 MIN. THICK OVER COPPER PL. 50 MIN. THICK
5. TEFLON

NO.	DESCRIPTION	MATERIAL	FINISH	Q'TY
4	HOUSING	NOTE 1	NOTE 2	1
3	CONTACT PIN	NOTE 3	NOTE 4	1
2	INSULATOR	NOTE 5	NATURAL	1
1	BODY	NOTE 1	NOTE 2	1

RoHS Compliant

TOLERANCES ARE

MORETHANALL
PCB CONNECTORS
Cable ASSEMBLIES

煜倫股份有限公司

www.morethanall.com

DRAWING BY CY

CHECKED BY GENIUS

UNIT / mm

SCALE 1 : 1

DATE

SIZE A4

PPOJECTION

0.5-6 = ±0.2
6-30 = ±0.4
30-120 = ±0.6
120-315 = ±1
315-1000 = ±1.6
1000-2000 = ±2.4

照片框

ORDER INFORMATION

BNC-JE17-75-LF
SERIES | T LEADFREE
75 OHM
EDGE CLIP 1.75mm
JACK

DESCRIPTION: BNC END LAUNCH RECEPT. JACK