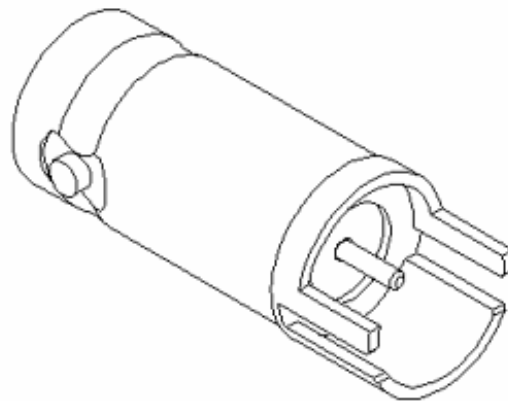
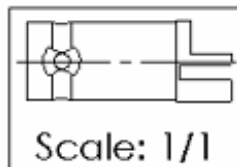


BODY : BRASS / NICKEL PLATING  
 CENTER CONTACT : BRASS / GOLD  
 INSULATOR : TEFLON  
 50ohm



RoHS Compliant

TOLERANCES ARE

**MORETHANALL**  
 PCB CONNECTORS  
 Cable ASSEMBLIES

DRAWING BY CY

CHECKED BY GENIUS

UNIT / mm

SCALE 1 : 1

DATE

SIZE A4

PPOJECTION

0.5-5	=±0.2
5-30	=±0.4
30-120	=±0.6
120-315	=±1
315-1000	=±1.6
1000-2000	=±2.4

照片框

ORDER INFORMATION

BNC-JE17-50-LF  
 SERIES | T | LEADFREE  
 | | 50 OHM  
 | | EDGE CLIP 1.70mm  
 JACK

煜倫股份有限公司

www.morethanall.com

DESCRIPTION:

ELECTRICAL SPECIFICATIONS:  
 IMPEDANCE: 50 OHM  
 WITHSTANDING VOLTAGE: 500VRMS  
 INSULATION RESISTANCE:5,000 MEGOHMS MIN  
 FREQUENCY RANGE:0-1GHz  
 CONTACT RESISTANCE:  
 CENTER CONTACT 3.0 MILLIOHMS MAXIMUM.  
 OUTER CONTACT 2.0 MILLIOHMS MAXIMUM.

RoHS Compliant

TOLERANCES ARE

**MORETHANALL**  
 PCB CONNECTORS  
 Cable ASSEMBLIES

煜倫股份有限公司

www.morethanall.com

DRAWING BY CY

CHECKED BY GENIUS

UNIT / mm

SCALE 1:1

DATE

SIZE A4

0.5-5	±0.2
5-30	±0.4
30-120	±0.6
120-315	±1
315-1000	±1.6
1000-2000	±2.4

PJECTION 

照片框

ORDER INFORMATION

BNC-JE17-50-LF  
 SERIES | T | T LEADFREE  
 50 OHM  
 EDGE CLIP 1.70mm  
 JACK

DESCRIPTION: