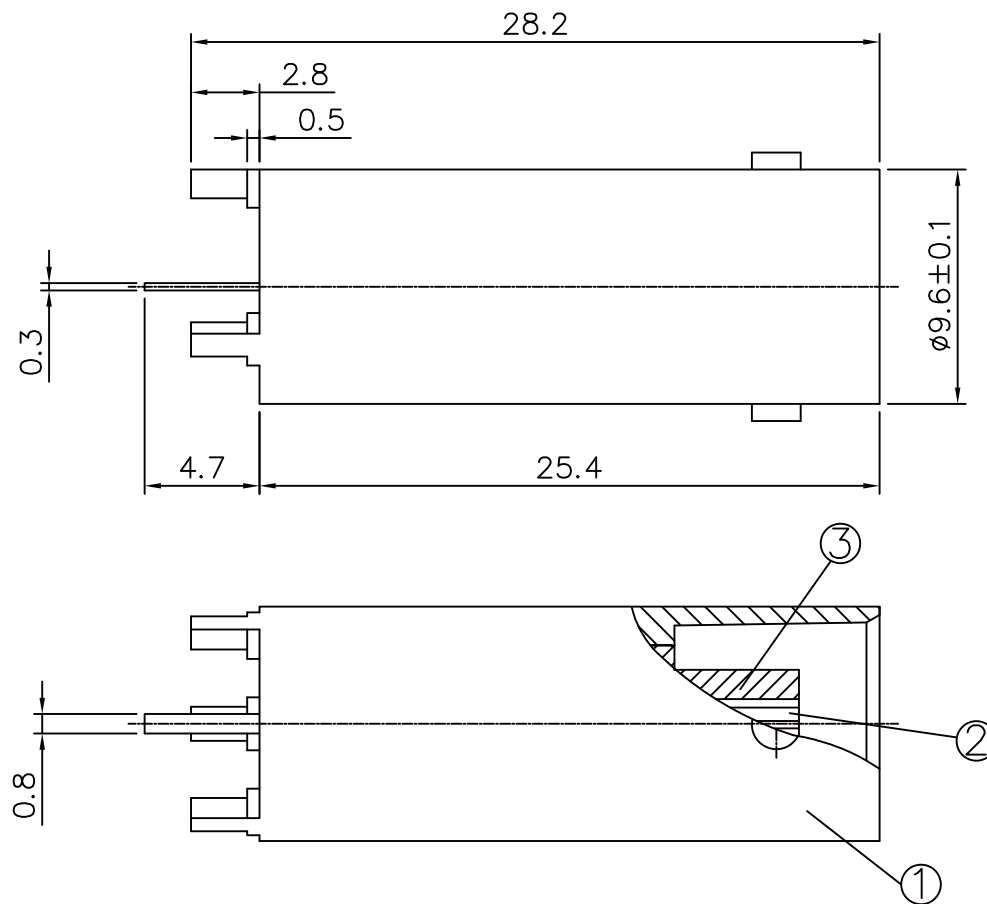


PCB HOLE CONFIGURATION
RECOMMENDED PANEL CUTOUTS



MATERIAL & FINISHED

- ① BODY : ZINC ALLOY, NICKEL PLATED
- ② CENTER CONTACT : PHOSPHOR BRONZE, GOLD PLATED
- ③ INSULATOR : TPX

RoHS Compliant

TOLERANCES ARE

MORETHANALL
PCB CONNECTORS
Cable ASSEMBLIES

DRAWING BY CY

CHECKED BY GENIUS

UNIT / mm

SCALE 1 : 1

DATE

SIZE A4

PPOJECTION

X. ±
.X ± 0.50
.XX ± 0.30
.XXX ± 0.20
ANG ±

照片框

ORDER INFORMATION

BNC-JDL282-50-LF
SERIES | LEADFREE
50 WAY
TOTAL LONG 28.2mm
DIP 180°
JACK

DESCRIPTION: 50 OHM BNC VERTICAL PCB MOUNT JACK

煜倫股份有限公司

www.morethanall.com