

MATERIAL
INSULATION: VINYL
MATERIAL: BRASS
TIN PLATING

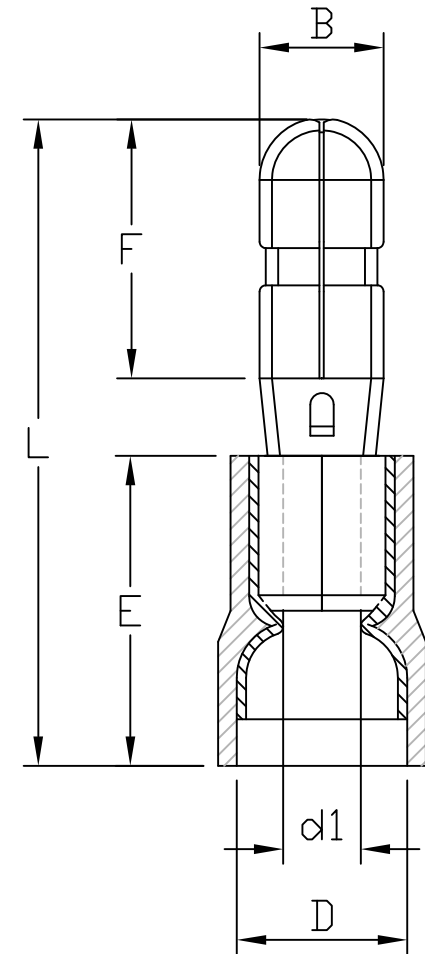
MAXIMUM ELECTRIC CURRENT

A. W. G	22	20	18	16	14	12	10
MAX AMP	3	4	7	10	15	20	24

NOTE:

1. MAXIMUM ELECTRICAL RATING: 75°C 300 VOLTS
2. REINFORCEMENT SLEEVE: C TYPE SLEEVE
3. WIRE RANGE: 16-14 AWG / 1.5-2.5 mm²
INSULATED COLOR: BLUE
4. MATERIAL THICKNESS: t
TOLERANCE: ±0.05

WIRE RANGE AWG/mm ²	產品編號 ITEM NO.	B ±0.20	F ±0.30	L ±1.00	E	D ±0.50	d1 ±0.20	t
16-14 AWG 1.5-2.5 mm ²	BLT50-MTV-14	5.0	8.5	21.0	10.0	5.0	2.3	0.4



RoHS Compliant

TOLERANCES ARE

MORETHANALL
 PCB CONNECTORS
 Cable ASSEMBLIES

煜倫股份有限公司

www.morethanall.com

DRAWING BY CY

CHECKED BY GENIUS

UNIT / mm

SCALE 1:1

DATE

SIZE A4

PJECTION

X. ±
 .X ±
 .XX ±
 .XXX ±
 ANG ±

照片框

ORDER INFORMATION

BLT50-MTV-14-LF
 SERIES | | | LEADFREE
 | | | 14-16 AWG
 | | | PVC
 | | | TERMINAL
 | | | MALE

DESCRIPTION: