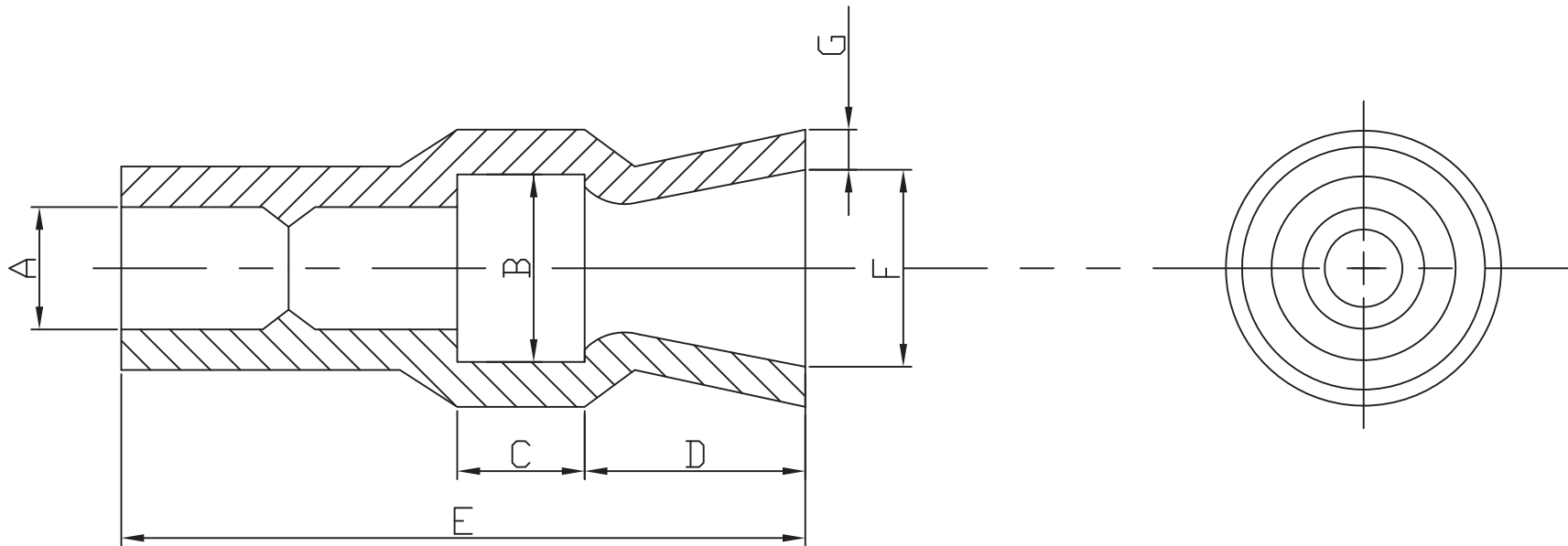


Item No.	A±0.1	B±0.1	C±0.1	D±0.5	E±1	F±0.1	G±0.2
BLT45-MV-40	4.0∅	4.8∅	3.0	4.5	14.5	4.7	1.0



RoHS Compliant

TOLERANCES ARE

**MORETHANALL**  
PCB CONNECTORS  
Cable ASSEMBLIES

DRAWING BY CY

X.±

CHECKED BY GENIUS

.X±

UNIT / mm

SCALE 1:1

.XX±

DATE

.XXX±

ANG ±

SIZE A4

PJECTION

照片框

ORDER INFORMATION

BLT45-MV-40-LF

SERIES LEADFREE  
4.0∅  
PVC  
MALE

煜倫股份有限公司

www.morethanall.com

DESCRIPTION: 5□公絕緣套管