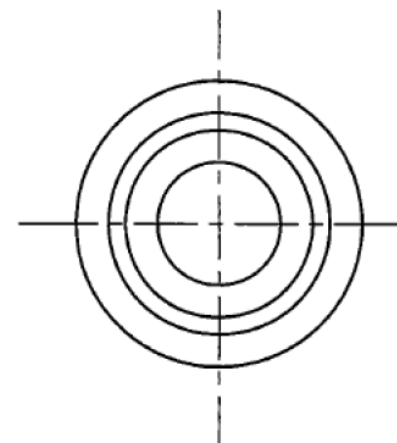
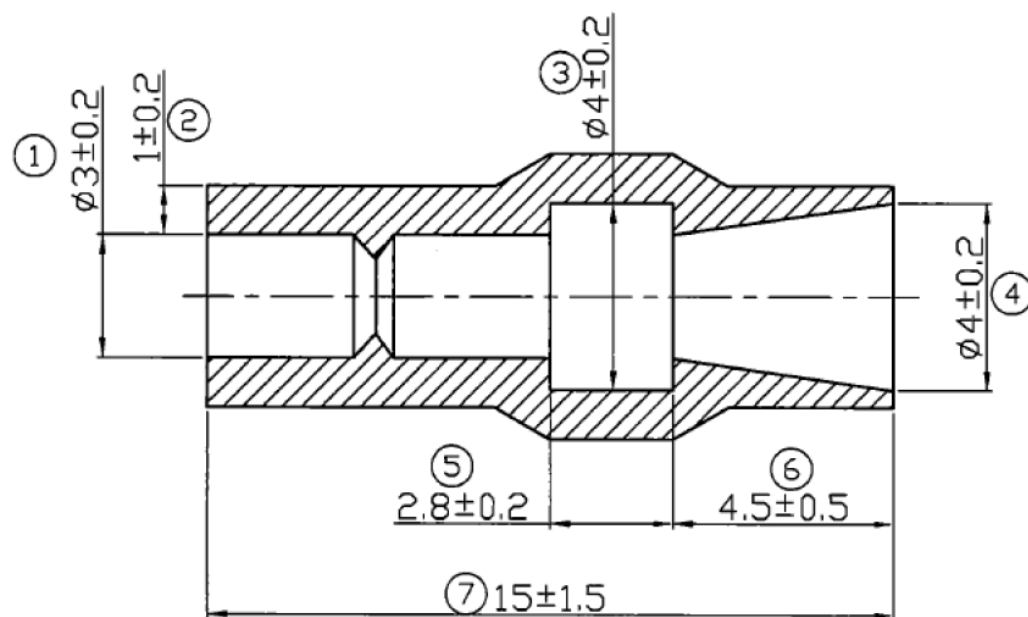


編號 PART NO.	顏色 COLOR	材質 MATERIAL	適用溫度 HEAT-RESISTANT
BLT39-MV-30	CLEAR	P.V.C	80°C以下

NOTES:

I. 包裝數量：1000 PCS/BAG

I. PACKING Q'TY: 1000 PCS/BAG



RoHS Compliant

TOLERANCES ARE

**MORETHANALL**  
PCB CONNECTORS  
Cable ASSEMBLIES

煜倫股份有限公司

www.morethanall.com

DRAWING BY CY

CHECKED BY GENIUS

UNIT / mm

SCALE 1 : 1

DATE

SIZE A4

X, ±  
.X ± 0.30  
.XX ± 0.20  
.XXX ± 0.15  
ANG ± 3°

PPOJECTION

照片框

ORDER INFORMATION

BLT39-MV-30-LF

SERIES | LEADFREE  
3.00  
PVC  
MALE

DESCRIPTION: