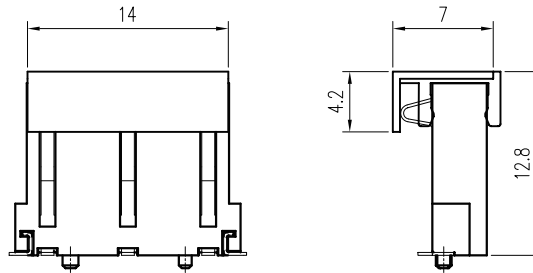
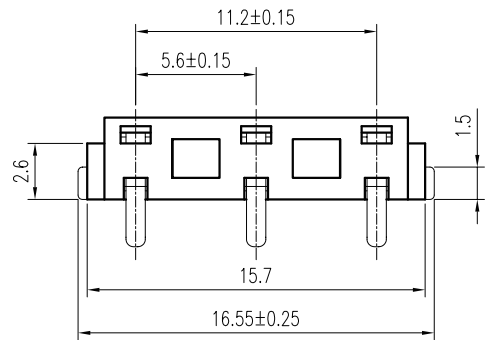


1 2 3 4 5 6 7 8 9 0

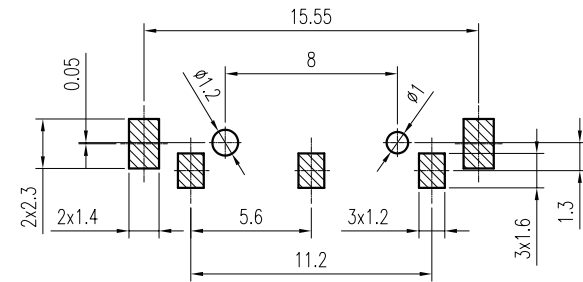
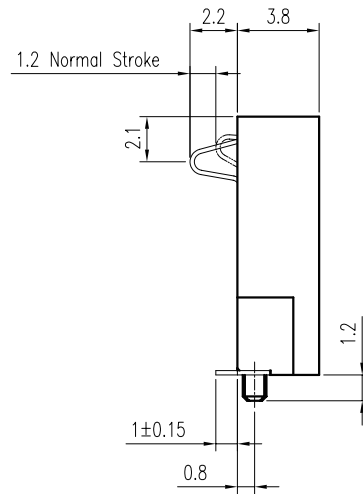
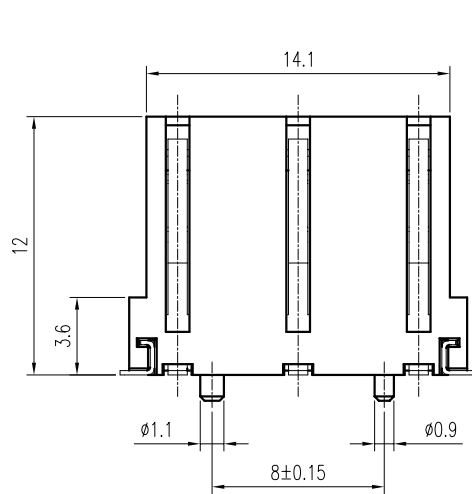
J  
I  
H  
G  
F  
E  
D  
C  
B  
A



With Cap(2:1)

Notes:

- Material :  
Housing : Thermoplastic UL 94V-0, Black  
Terminal : Copper Alloy  
Fork : Copper Alloy  
CAP : Thermoplastic UL 94V-0, Black
- Finish :  
Terminal : Selected Gold on Contact Area, Gold Flash on Solder Tails, Both over 50u" Min. Ni Under-plated Overall  
Fork : 1u" Min. Gold over 50u" Min. Ni



Recommended P.C.B. Layout  
Layout Tolerance = ± 0.05 mm

BCS56-WA2EP1C-03-LF  
LEADFREE

RoHS Compliant



PART NO. BCS56-WA2EP1C-03

DWG NO. BCS56-WA2EP1C-03

FILE NO.

UNIT / mm

SCALE 1:1

CHECKED BY CY

DRAWING BY

PROJECTION

TOLERANCES ARE

X.±  
.X ± 0.38  
.XX ± 0.20  
.XXX ± 0.13  
ANG

DESCRIPTION:

5.6mm Pitch Spring  
Battery Conn.

AREA

REVISIONS

DATE

焜倫股份有限公司