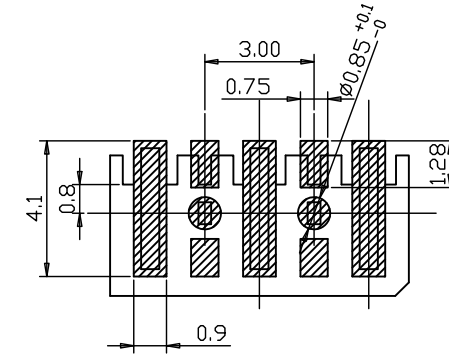
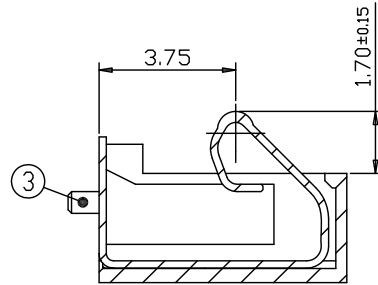
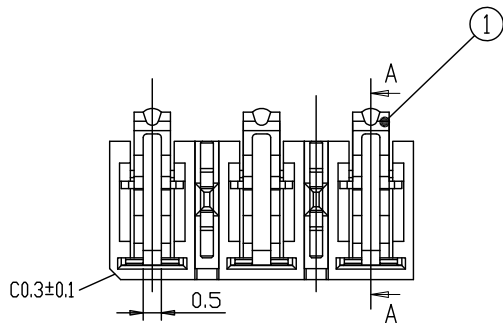
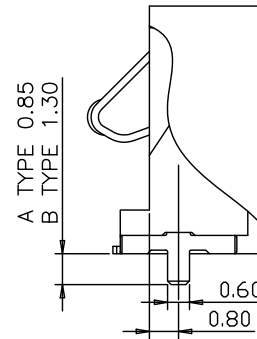
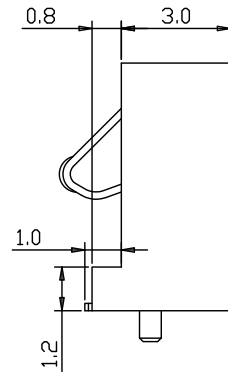
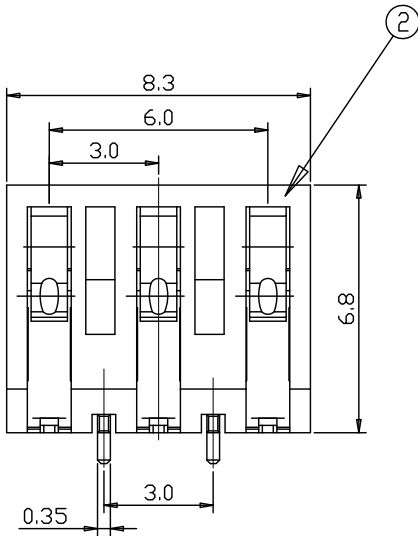
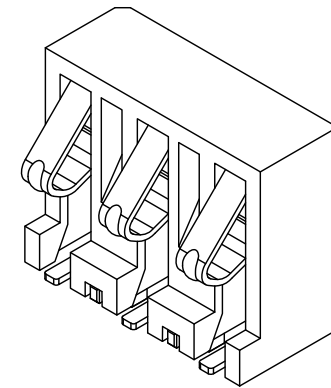


Note:  
1. Coplanarity of SMT terminal  
is 0.1mm maximum.



P.C.B LAYOUT  
RECOMMENDED PCB GENERAL TOLERANCES:  $\pm 0.05\text{mm}$



SECTION A-A  
Scale 5:1

3	Hold down	2	Copper Alloy	Tin over Ni	
2	Insulator	1	LCP+GF	Black	UL94V-0
1	Terminal	3	Copper Alloy	Gold	
No.	Description	Quantity	Material	Finish	Note

RoHS Compliant

TOLERANCES ARE

**MORETHANALL**  
PCB CONNECTORS  
Cable ASSEMBLIES  
煜倫股份有限公司

DRAWING BY CY

X.  $\pm 0.50$

CHECKED BY GENIUS

.X  $\pm 0.30$

UNIT / mm

SCALE 1:1

.XX  $\pm 0.20$

DATE

.XXX  $\pm$

ANG  $\pm$

SIZE A4

PJECTION

照片框

ORDER INFORMATION

BCS30-W68EP2-03-LF

SERIES

LEADFREE  
03 WAY  
EAR+POST  
HIGH 6.8mm  
90°SMT

DESCRIPTION: 3.0mm Pitch 3 Pin Spring Battery Connector SMT Type

www.morethanall.com