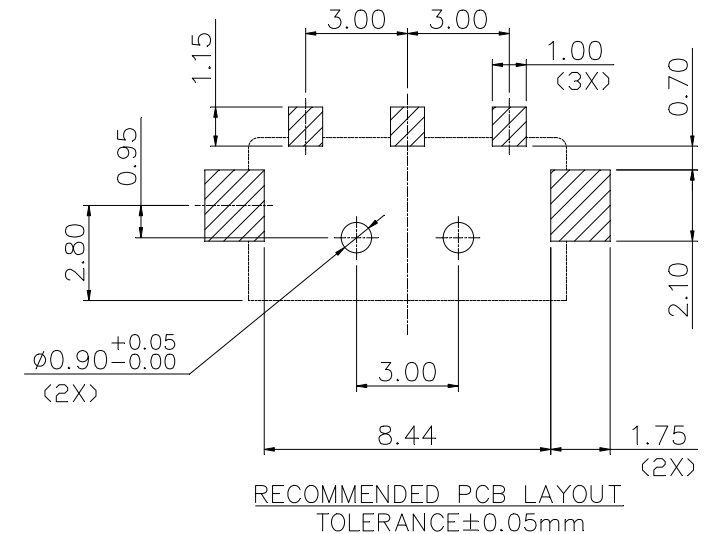
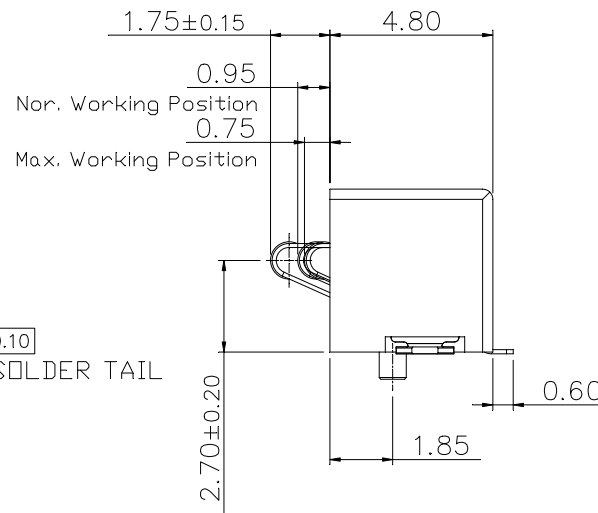
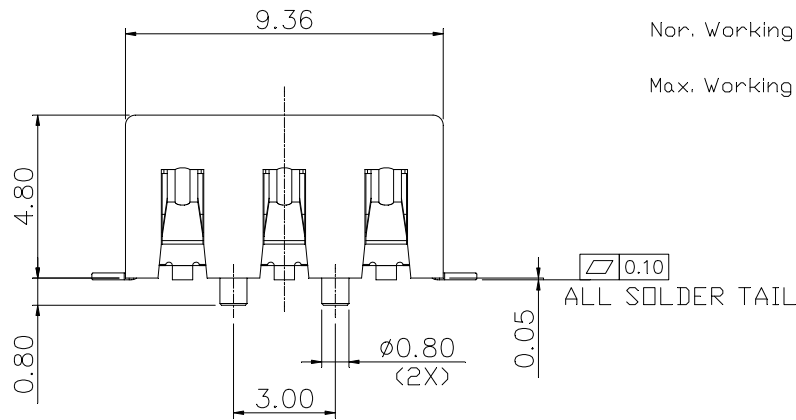


3D VIEW

- NOTES:
- MATERIAL:
 - HOUSING: LCP E130I, UL94 V-0, COLOR: BLACK
 - CONTACT: Ti-Cu, NKT322-ESH
 - LATCH: BRASS, C2680-H
 - FINISH:
 - CONTACT:
 - GOLD PLATING ON CONTACT AREA, TIN 80µ*Min. PLATING ON SOLDER TAIL, NICKEL 50µ*Min. UNDERPLATING OVERALL.
 - LATCH:
 - TIN 80µ*Min. PLATING OVERALL, NICKEL 50µ*Min. UNDERPLATING OVERALL.
 - NORMAL FORCE: $1 \pm 0.2N @ 0.95mm$ FROM HOUSING
 - DURABILITY: 5000 CYCLES
 - ROHS PRODUCT



RoHS Compliant

TOLERANCES ARE

MORETHANALL
PCB CONNECTORS
Cable ASSEMBLIES

DRAWING BY CY

X.±

CHECKED BY GENIUS

.X±

UNIT / mm

SCALE 1 : 1

.XX±

DATE

.XXX±

ANG±

SIZE A4

PROJECTION

照片框

ORDER INFORMATION

BCS30-W48EP2-03-LF

SERIES

LEADFREE

03 WAY

EAR+POST

HIGH 4.8mm

90°SMT

煜倫股份有限公司

www.morethanall.com

DESCRIPTION: 3PIN 3.0mm PITCH BATTERY CONNECTOR