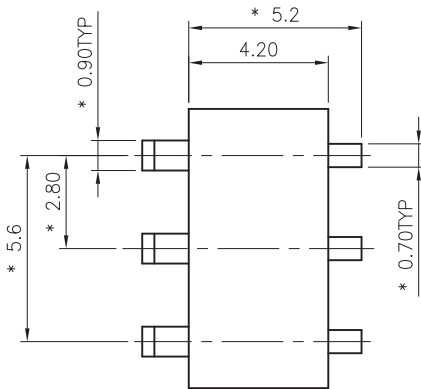
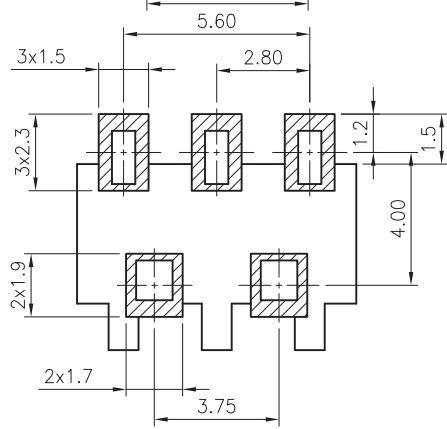
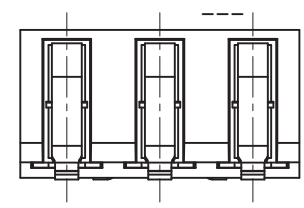
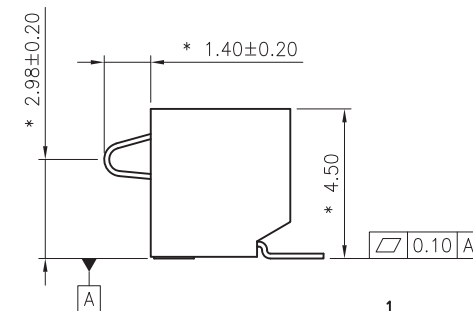
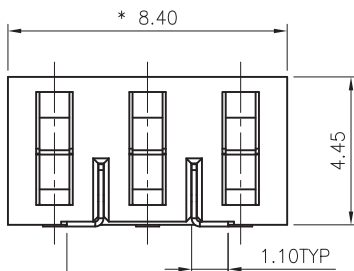


USE GUIDE

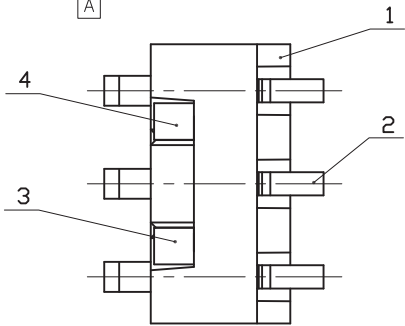


SPECIFICATIONS:

1. CURRENT RATING: [3]A [12]V AC/DC.
2. CONTACT RESISTANCE: [30]mΩ MAX(INITIAL); [60]mΩ MAX(FINAL).
3. INSULATION RESISTANCE: [500]MΩ MIN.
4. DIELECTRIC WITHSTANDING VOLTAGE: [500]V AC R.M.S. FOR 1 MINUTE.
5. OPERATING TEMPERATURE RANGE: -25°C TO +85°C.
6. MARKED " * " DIMENSION IS IMPORTANT, MUST CONTROL FOR QC.



RECOMMEND PCB LAYOUT <BOTTOM VIEW>
PCB TOLERANCE : ±0.05



Bill Of Materials:

No.	TITLE	MATERIAL	FINISH(OR COLOR)	NO.
1	HOUSING	LCP+30%GF,UL94 V-0	BLACK	1
2	TERMINAL	BeCu,T=0.15mm	GLOD [1u"] FLASH PLATING OVERALL AND GLOD [3u",5u",8u"----] PLATING ON CONTACT AREA. [50u"] MIN NICKEL UNDERPLATED OVERALL.	3
3	左焊片	BRASS,T=0.15mm	[100u"]MIN BRIGHT TIN PLATING OVERALL [50u"] MIN NICKEL UNDERPLATED OVERALL.	1
4	右焊片	BRASS,T=0.15mm	[100u"]MIN BRIGHT TIN PLATING OVERALL [50u"] MIN NICKEL UNDERPLATED OVERALL.	1

BCS28-W45E1-03-LF
LEADFREE

RoHS Compliant



PART NO. BCS28-W45E1-03

DWG NO. BCS28-W45E1-03

FILE NO.

CHECKED BY CY

DRAWING BY

TOLERANCES ARE

- X ±
- .X ± 0.25
- .XX ± 0.15
- .XXX ±
- ANG

DESCRIPTION:	3P BATTERY SMT (2.80 PH,4.5H)		
AREA	REVISIONS		DATE

煜倫股份有限公司

UNIT / mm SCALE 1:1

PROJECTION