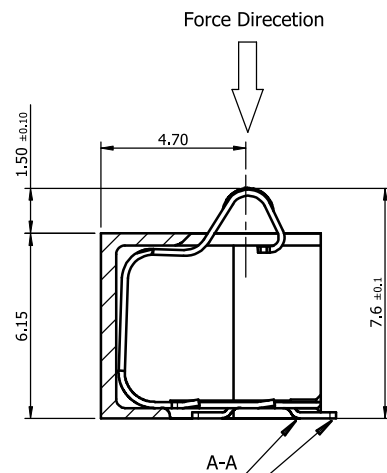


PCB LAYOUT (REF.)



MAX. FROM SETTING PLANE
CONPLANARITY TO BE 0.1MM
CONTACT TAILS.

NOTES:1.COPLANARITY TO BE 0.1MM MAX.

TABLE 1 (Contact Finish)

CONTACT AREA	TERMINAL AREA
GOLD OVER NICKEL	SN OVER NICKEL

NO.	Description	Quantity	Material	Finish	Remark
2	CONTACT	TABLE 1	COPPER ALLOY	TABLE 1	
1	INSULATOR	1	LCP+GF		

NO.	Part Name	A	B	Note
3	BCS25-V61X-06	15.9	12.5	6PIN
2	BCS25-V61X-05	13.4	10	5PIN
1	BCS25-V61X-04	10.9	7.5	4PIN

RoHS Compliant

TOLERANCES ARE

MORETHANALL
PCB CONNECTORS
Cable ASSEMBLIES

煜倫股份有限公司

www.morethanall.com

DRAWING BY CY

CHECKED BY GENIUS

UNIT / mm

SCALE 1 : 1

DATE

SIZE A4

X, ±
.X ± 0.20
.XX ± 0.10
.XXX ±
ANG ± 3°

PJECTION

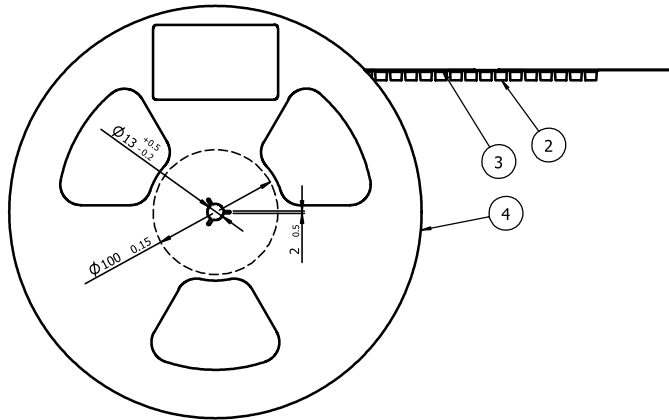
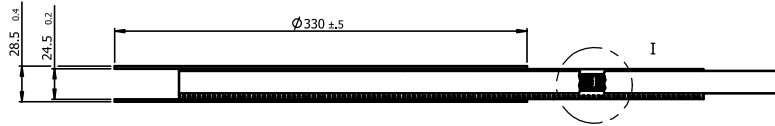
照片框

ORDER INFORMATION

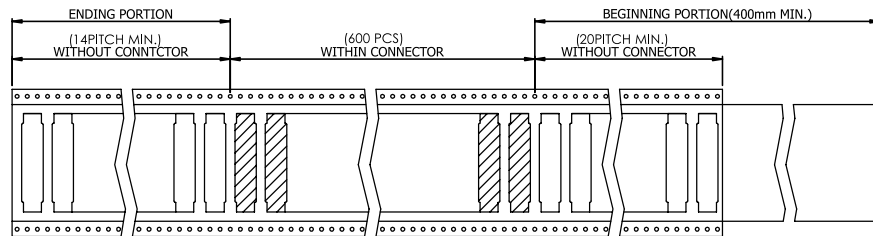
BCS25-V61XR-xx-LF

SERIES | | | LEADFREE
| | | 04~06WAY
| | | REEL
| | | NON POST
| | | HIGH 6.15mm
| | | 180°SMT

DESCRIPTION:



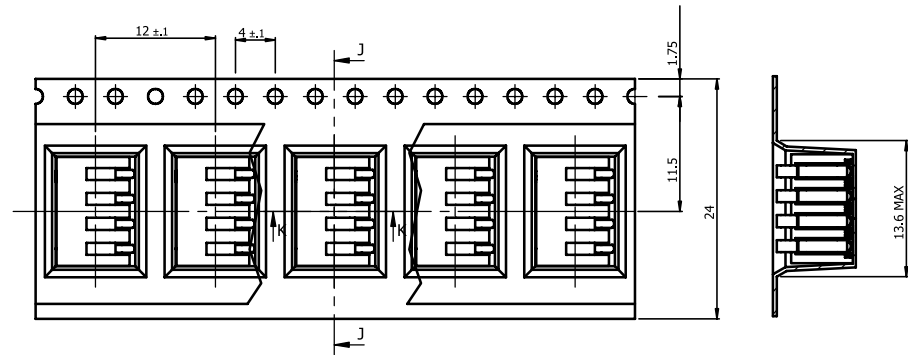
REEL
SCALE(1:4)



DIRECTION

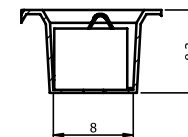
NOTE:

- SUFFIX "-E600" OF THE PART NUMBER INDICATES THAT 600 PCS. OF EIO-CL26-S004H6-3Z-E600 CONNECTORS ARE ACCOMMODATED IN ONE REEL.
- THE LABEL IS TO BE ATTACHED ON THE MAGAZINE AS SHOWN.
- REFER. TO THE DRAWING, 7666514U5230Z(TITLE: EIO-CL26-S004H6-3Z) FOR THE DIMENSION OF THE CONNECTOR.



DETAIL I
SCALE(2:1)

J-J SECTION
SCALE(2:1)



K-K SECTION
SCALE(2:1)

4	REEL	1	—	—
3	COVER-TAPE	—	PET	—
2	CARRIER-TAPE	—	PS	—
1	CONNECTOR	600	—	—
ITEM	DESCRIPTION	COUNT	MATERIAL	FINISH

RoHS Compliant

TOLERANCES ARE

MORETHANALL
PCB CONNECTORS
Cable ASSEMBLIES

煜倫股份有限公司

www.morethanall.com

DRAWING BY CY

CHECKED BY GENIUS

UNIT / mm SCALE 1:1

DATE

SIZE A4

X, ±

.X ±

.XX ±

.XXX ±

ANG ±

PJECTION

照片框

ORDER INFORMATION

BCS25-V61XR-xx-LF

SERIES | | | LEADFREE
| | | 04~06WAY
| | | REEL
| | | NON POST
| | | HIGH 6.15mm
| | | 180°SMT

DESCRIPTION: