

NOTE :

1. MATERIAL :
  - 1-1. HOUSING : LCP UL94V-0 ; COLOR : BLACK
  - 1-2. CONTACT : BERYLLIUM COPPER
  - 1-3. CAP : LCP UL94V-0 ; COLOR : BLACK
2. FINISH :
  - 2-1. CONTACT A : 30 MICRO INCHES MIN. GOLD PLATED
  - UNDER PLATE : NICKEL
3. ELECTRICAL SPECIFICATION :
  - 3-1. Rated current : 1.5A
  - 3-2. Voltage :125V
4. Environmental :
  - 4-1. Operation Temperature : -40°C~105°C

RoHS Compliant

TOLERANCES ARE

**MORETHANALL**  
PCB CONNECTORS  
Cable ASSEMBLIES

DRAWING BY CY

X, ±

CHECKED BY GENIUS

.X ±

UNIT / mm

SCALE 1 : 1

.XXX ±

DATE

ANG ±

煜倫股份有限公司

www.morethanall.com

SIZE A4

PJECTION

照片框

ORDER INFORMATION

BCS25-V37P1CR-04-LF

SERIES | | | | LEADFREE  
180°SMT | | | | REEL  
CAP | | | | 04 WAY  
POST | | | | HIGH 3.7mm

DESCRIPTION: 4PIN 電池座5.8mm

步驟一:

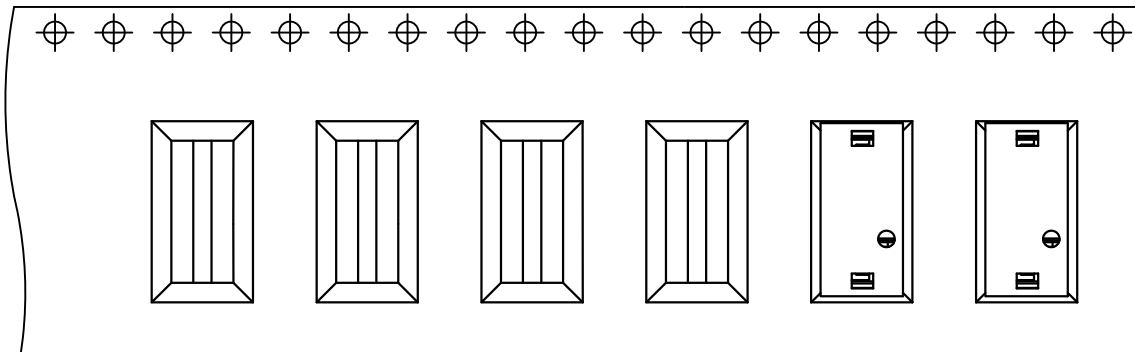
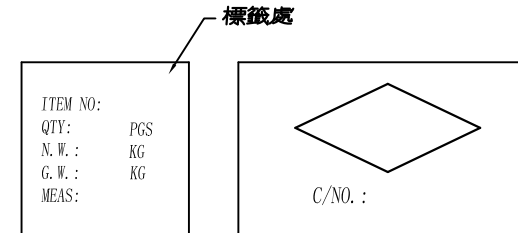
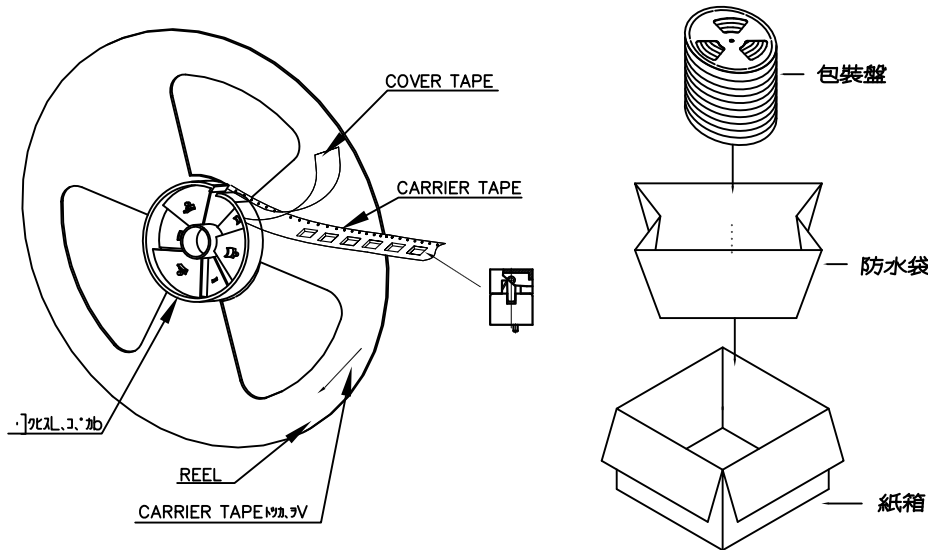
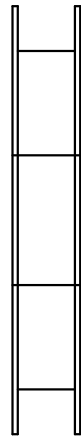
1. 將成品一一放入包裝盤內, 依同一方向置入.
2. 包裝方式, 如圖所示.
3. 一個包裝盤650pcs.

步驟二:

1. 一個紙箱可以裝10個包裝盤.
2. 每盤650pcs, 每箱6500pcs.
3. 將包裝盤放入防水袋中, 包裝完後再封箱.

步驟三:

1. 用膠帶將紙箱封實.
2. 將標籤貼於紙箱上.



NOTE:

1. 若有未裝滿之零數箱, 必須以緩衝材塞滿.
2. 在搬運過程中要輕拿輕放.
3. 載運輸中不可堆放過多, 不可有重壓現象.
4. 在裝滿產品後, 必須空留帶前和帶後42格, 然後用紙膠布貼上.
5. 上帶在貼下帶時必須平整, 且黏貼處不要出現氣泡.

RoHS Compliant

TOLERANCES ARE

**MORETHANALL**  
PCB CONNECTORS  
Cable ASSEMBLIES

煜倫股份有限公司

www.morethanall.com

DRAWING BY CY

CHECKED BY GENIUS

UNIT / mm SCALE 1 : 1

DATE

SIZE A4

X, ±

.X ±

.XX ±

.XXX ±

ANG ±

PJECTION

照片框

ORDER INFORMATION

BCS25-V37P1CR-04-LF

SERIES | | | | LEADFREE  
180°SMT | | | | REEL  
CAP | | | | 04 WAY  
POST | | | | HIGH 3.7mm

DESCRIPTION: 4PIN 電池座5.8mm