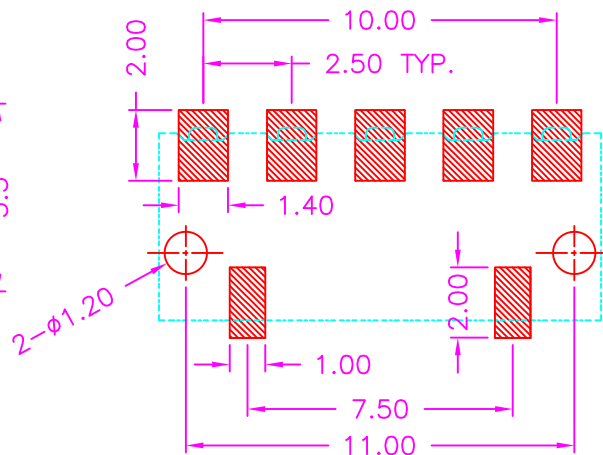
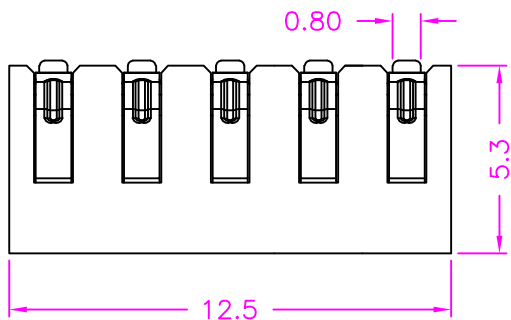


MATERIALS

HOUSING: HI-TEMP. PLASTIC (UL 94V-0), BLACK
 PAD: COPPER ALLOY, TIN PLATED
 TERMINAL: COPPER ALLOY, GOLD PLATED

SPECIFICATION

CURRENT RATING: 2 AMP MAX
 DIELECTRIC WITHSTANDING: 500V AC FOR ONE MINUTE
 CONTACT RESISTANCE: 50m OHMS MAX
 INSULATION RESISTANCE: 1000M OHMS MIN AT DC 500V
 OPERATION TEMPERATURE: -40°C~+85°C



P.C.B. LAYOUT
 TOP VIEW ±0.05

照片框

RoHS Compliant

TOLERANCES ARE

MORETHANALL
 PCB CONNECTORS
 Cable ASSEMBLIES

DRAWING BY CY

CHECKED BY GENIUS

UNIT / mm

SCALE 1 : 1

DATE

SIZE A4

PJECTION

X, ±
 .X ± 0.30
 .XX ± 0.20
 .XXX ± 0.10
 ANG ±

煜倫股份有限公司

www.morethanall.com

ORDER INFORMATION

BCS25-V30EP2-05-LF

SERIES

LEADFREE

05 WAY

EAR-POST

HIGH 3.0mm

180°SMT

DESCRIPTION: BATTERY, 2.50mm PITCH, PCB MOUNT, VERTICAL SMT, WITH POST & PAD