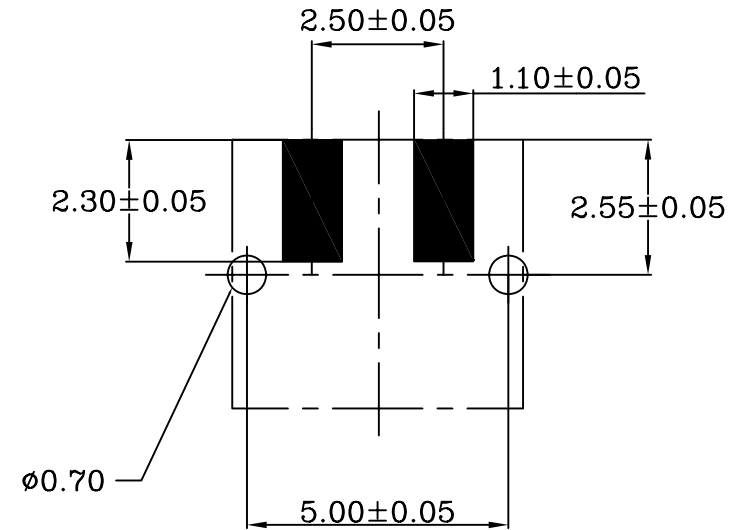
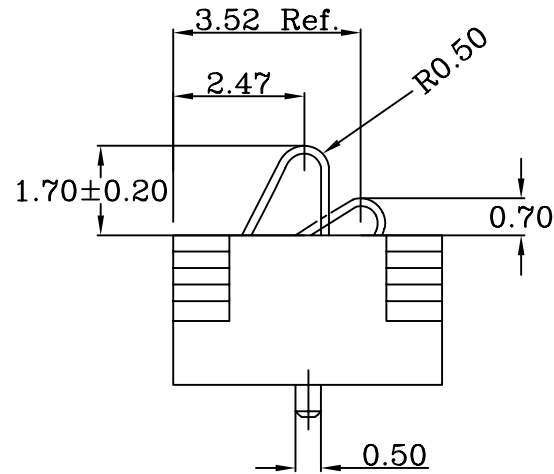
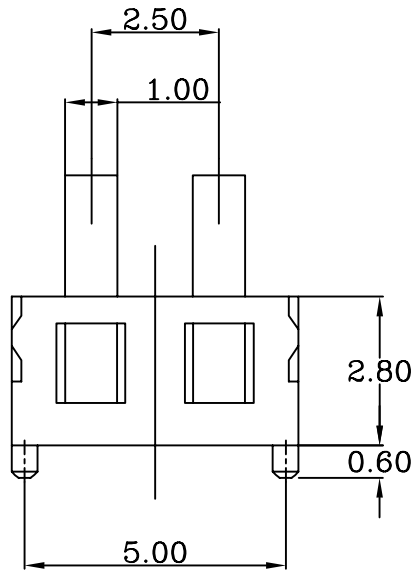


Environmental:  
Operation Temperature:  $-40^{\circ}\text{C} \sim +85^{\circ}\text{C}$

BCS25-V28P-02-LF  
LEADFREE

RoHS Compliant



PCB. Layout (Top View)  
Recommended Pattern



PART NO. BCS25-V28P-02		CHECKED BY CY		TOLERANCES ARE .X ± 0.1 .XX ± 0.01 .XXX ± AWG	DESCRIP TION: Battery Connector 2 Pin SMT Type	AREA	REVISIONS	HK	DATE
DWG NO. BCS25-V28P-02		DRAWING BY							
FILE NO.		PROJECTION							
UNIT / mm	SCALE 1:1								

煜倫股份有限公司