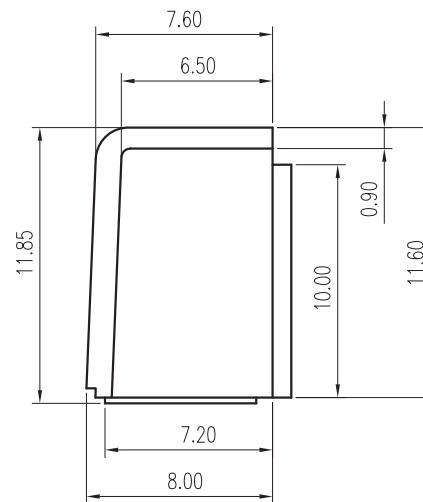
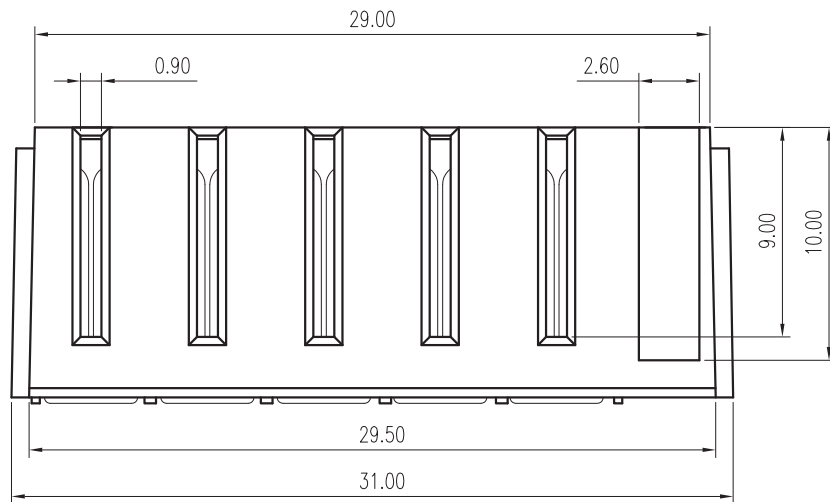


Detail A
Scale 6:1

Notes:

1. Material :
Housing : Thermoplastic UL 94V-0, Black
Terminal : Copper Alloy
2. Finish :
Terminal : Selected 15u" Min. Ni Overall,
or Gold Flash Overall.



RoHS Compliant

TOLERANCES ARE

MORETHANALL
PCB CONNECTORS
Cable ASSEMBLIES

煜倫股份有限公司

www.morethanall.com

DRAWING BY CY

CHECKED BY GENIUS

UNIT / mm

SCALE 1 : 1

DATE

SIZE A4

X. ±
.X ±
.XX ±
.XXX ±
ANG ±

PJECTION

照片框

ORDER INFORMATION

BCC50-SV118R1-05-LF

SERIES

LEADFREE
05 WAY
RIGHT EMPTY 1
HIGH 11.85mm
180°SMT
FEMALE

DESCRIPTION: 5.0mm Pitch Battery Conn. Female Type