

(無防呆)	Dim. A	Dim. B	Dim. C
BCC25-SRxx-03	5.0	9.0	11.95
BCC25-SRxx-04	7.5	11.5	14.45
BCC25-SRxx-05	10.0	14.0	16.95
BCC25-SRxx-06	12.5	16.5	19.45
BCC25-SRxx-07	15.0	19.0	21.95
BCC25-SRxx-08	17.5	21.5	24.45
BCC25-SRxx-09	20.0	24.0	26.95
BCC25-SRxx-10	22.5	26.5	29.45
BCC25-SRxx-11	25.0	29.0	31.95

***Material**

Insulator: PA-6T(UL94V-0).

Contact: Copper Alloy.

Contact Plated: Gold over Nickel .

***Ratings**

Rating current:5.0 A/pin.

Instant current:7.0/pin.

Rating voltage:125 V AC/1 minute.

Operating temperature:-40℃ to +105℃.

Resistance to soldering: 260℃, 5 second.

***Electrical Characteristic**

Withstanding Voltage: DC 500V .

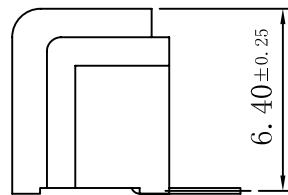
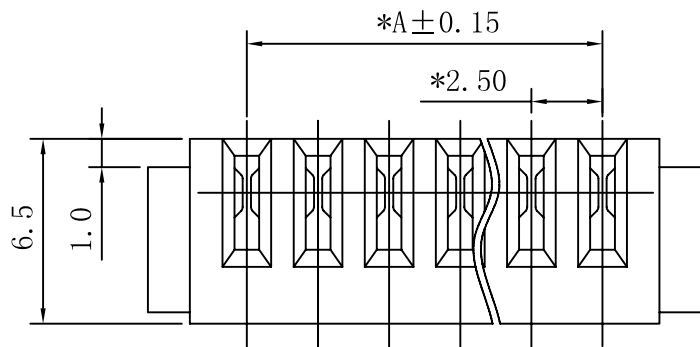
Insulation Resistance: 100 MΩ Min..

Contact Resistance: 30mΩ Max..

***Mechanical Characteristic**

Mating force: 150g/pin max..

Contact retention force: 500g min..



	BCC25-SR20-xx	BCC25-SR25-xx
DIM. E	2.0±0.25mm	2.5±0.25mm

	項次	名稱	零件料號	數量
BCC25-SRxx-xx	1	膠芯	BCC25-H	1 PCS
	2	端子	BCC25-T	依膠芯pin數

RoHS Compliant

TOLERANCES ARE

MORETHANALL
PCB CONNECTORS
Cable ASSEMBLIES

煜倫股份有限公司

www.morethanall.com

DRAWING BY CY

CHECKED BY GENIUS

UNIT / mm SCALE 1 : 1

DATE

SIZE A4

X. ±
.X ±
.XX ±
.XXX ±
ANG ±

PJECTION

照片框

ORDER INFORMATION

BCC25-SRxx-xx-LF

SERIES | LEADFREE
03~11 WAY
R20:DIP 90°/ 2.0mm
R25:DIP 90°/ 2.5mm
FEMALE

DESCRIPTION: