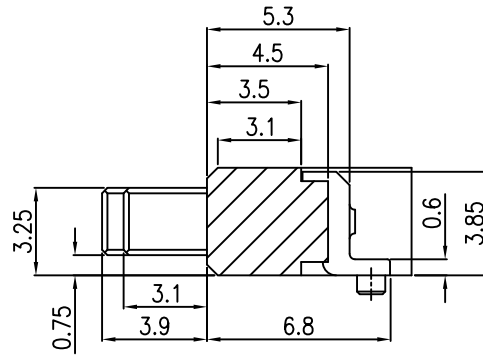
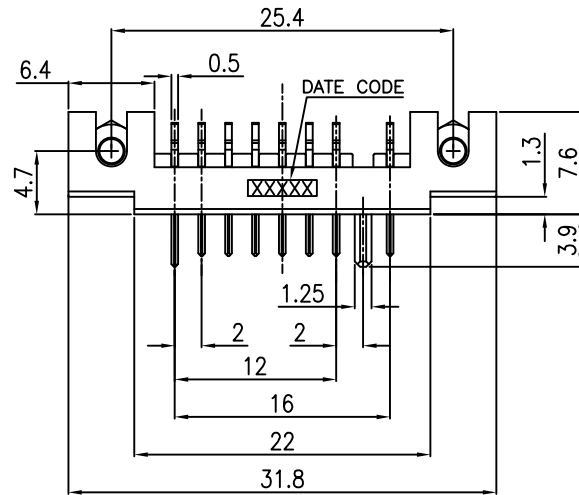
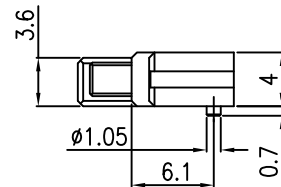
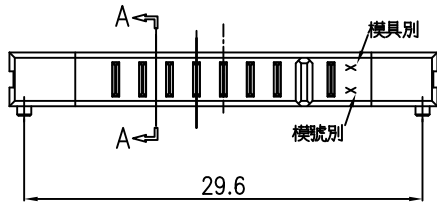


RECOMMENDED PCB LAYOUT
TOLERANCE ±0.05



SECTION A-A
(SCALE 2:1)



NOTES:

1. MATERIAL:
 - 1.1 HOUSING: THERMOPLASTIC, HIGH TEMP., UL94V-0; COLOR:BLACK.
 - 1.2 TERMINAL: COPPER ALLOY.
 - 1.3 NUT: IRON.
2. FINISH:
 - 2.1 TERMINAL: 80u" MIN. NICKEL UNDERPLATING OVER ALL, 5u" GOLD CONTACT AREA, GOLD FLASH ON SOLDER AREA.
 - 2.2 SCREW: Zn-PATED OVER ALL.
3. REFLOW SOLDER CAPABLE TO 260°C PER
4. WAVE SOLDER CAPABLE TO 260°C PER

RoHS Compliant

TOLERANCES ARE

MORETHANALL
PCB CONNECTORS
Cable ASSEMBLIES

DRAWING BY CY

X ± 0.50

CHECKED BY GENIUS

.X ± 0.25

UNIT / mm

SCALE 1 : 1

.XX ± 0.15

DATE

.XXX ± 0.10

ANG ± 2°

SIZE A4

PPOJECTION

照片框

ORDER INFORMATION

BCC20-PW40R2EP14-08-LF

SERIES | | | | | LEADFREE
MALE | | | | | 08 WAY
| | | | | EAR/POST 1.4mm
| | | | | RIGHT KEY #2
| | | | | HIGH 4.0mm
| | | | | 90°SMT

DESCRIPTION: 2.0mm BATTERY CONN. R/A SMT MALE TYPE H=4.0mm

煜倫股份有限公司

www.morethanall.com