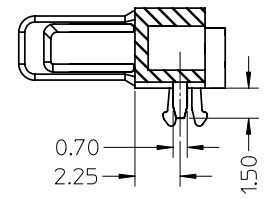
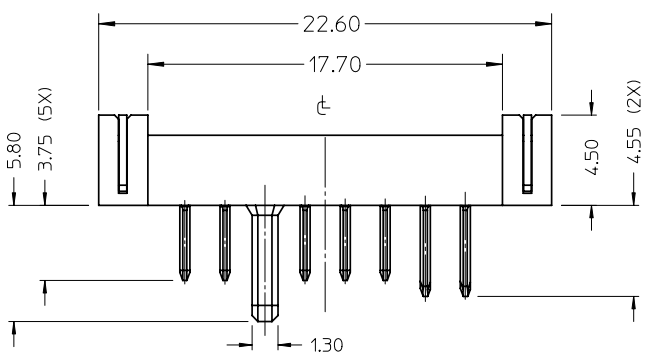
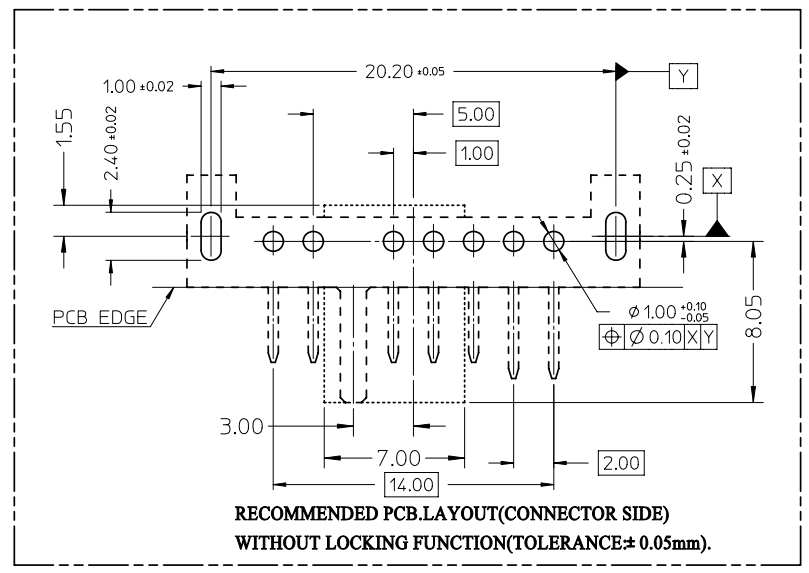


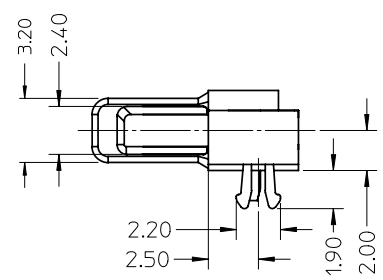
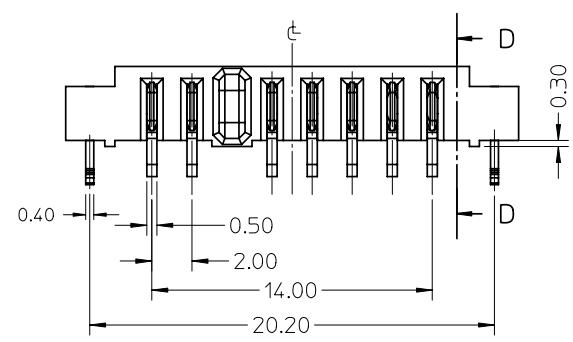
- NOTES:**
- MATERIAL:**
 HOUSING: THERMOPLASTIC,UL94V-0, COLOR: BLACK
 TERMINAL: COPPER ALLOY
 FORK LOCK:COPPER ALLOY
 - PLATING:**
 TERMINAL: GOLD FLASH ON THE CONTACT AND SOLDER TAIL AREA
 NICKEL UNDERPLATED OVER ALL
 FORK LOCK: TIN PLATED
 NICKEL UNDERPLATED OVER ALL
 - PRODUCT SPECIFICATION:** BTJ-PS002
 - PACKING SPECIFICATION:** BTD-07LJ0B_PK001
 - PRODUCT COMPLIANT TO ROHS AND HALOGEN FREE.**



SECTION D-D



RECOMMENDED PCB LAYOUT(CONNECTOR SIDE)
WITHOUT LOCKING FUNCTION(TOLERANCE± 0.05mm).



BCC20-PR46L3Z-07-LF
LEADFREE

3	FORK LOCK	2	COPPER ALLOY	SEE NOTES	T=0.40MM
2	TERMINAL	7	COPPER ALLOY	SEE NOTES	T=0.50MM
1	HOUSING	2	THERMOPLASTIC	---	BLACK
NO	DESCRIPTION	QTY	MATERIAL	FINISH	REMARKS

MORETHANALL
CONNECTORS
ASSEMBLIES

煜倫股份有限公司

PART NO. BCC20-PR46L3Z-07	
DWG NO. BCC20-PR46L3Z-07	
FILE NO.	
UNIT / mm	SCALE 1:1

RoHS Compliant	
CHECKED BY	CY
DRAWING BY	
PROJECTION	

TOLERANCES ARE
.X ±
.XX ±
.XXX ±
AWG

DESCRIP TION:				
AREA	REVISIONS	HK	DATE	