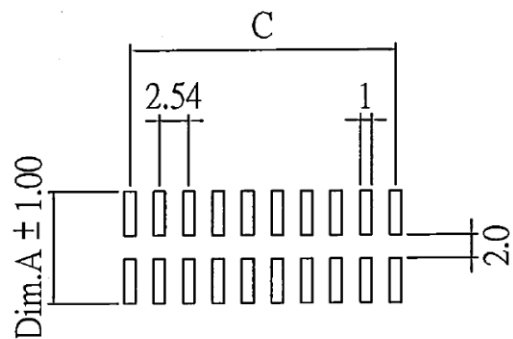


↓ Recommended PCB Layout ↓



SPECIFICATIONS:

Material:
 Insulator: HI-Temp Nylon 6T, rated UL-94V-0
 Contacts: Brass
 Contact Plating: Gold flash over Nickel underplate overall
 Electrical:
 Operating voltage: 250V AC max
 Current rating: 1 Amp max
 Contact resistance: 20 mohms max
 Insulation resistance: 5,000 Mohms min
 Dielectric withstanding voltage: 1,000 VAC / minute
 Mechanical: Mating durability: 500 cycles min
 Temperature Rating: Operating temperatures: -55 to +105
 Lead free, RoHS compliant
 Recommended soldering temp: 250 for 10 second

ROHS Compliant			
Cir-cuits	Dimension mm		
	A	B	C
2×3	15.24	12.94	5.08
2×4	17.78	15.48	7.62
2×5	20.32	18.02	10.16
2×6	22.86	20.56	12.70
2×7	25.40	23.10	15.24
2×8	27.94	25.64	17.78
2×10	33.02	30.72	22.86
2×12	38.10	35.80	27.94
2×13	40.64	38.34	30.48
2×15	45.72	43.42	35.56
2×17	50.80	48.50	40.64
2×20	58.42	56.12	48.26
2×22	63.5	61.20	53.34
2×25	71.12	68.82	60.96

RoHS Compliant

TOLERANCES ARE

MORETHANALL
 PCB CONNECTORS
 Cable ASSEMBLIES

煜倫股份有限公司

www.morethanall.com

DRAWING BY CY

CHECKED BY GENIUS

UNIT / mm

SCALE 1 : 1

DATE

SIZE A4

PPOJECTION

X, ±
 X, ±
 .XX ±
 .XXX ±
 ANG ±

照片框

ORDER INFORMATION

B-V-xx-LF
 SERIES | LEADFREE
 06-50WAY
 180°SMT

DESCRIPTION: