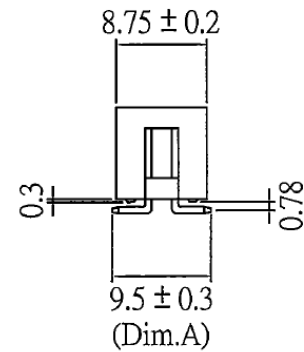
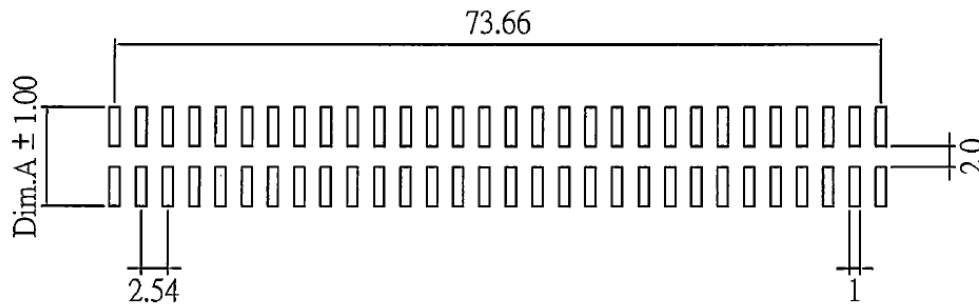


SPECIFICATIONS:
Material:
 Insulator: HI-Temp Nylon 6T, rated UL-94V-0
 Contacts: Brass
 Contact Plating: Gold flash over Nickel underplate overall
Electrical:
 Operating voltage: 250V AC max
 Current rating: 1 Amp max
 Contact resistance: 20 mohms max
 Insulation resistance: 5,000 Mohms min
 Dielectric withstanding voltage: 1,000 VAC / minute
Mechanical: Mating durability: 500 cycles min
 Temperature Rating: Operating temperatures: -55 to +105
 Lead free, RoHS compliant
 Recommended soldering temp: 250 for 10 second



↓ Recommended PCB Layout ↓



MORETHANALL
 PCB CONNECTORS
 Cable ASSEMBLIES

煜倫股份有限公司

www.morethanall.com

RoHS Compliant

DRAWING BY CY
 CHECKED BY GENIUS
 UNIT / mm SCALE 1 : 1
 DATE
 SIZE A4 PPROJECTION

TOLERANCES ARE

X. ±
 .X ±
 .XX ±
 .XXX ±
 ANG ±

照片框

ORDER INFORMATION

B-V-60-LF
 SERIES | T LEADFREE
 60 WAY
 180°SMT

DESCRIPTION: