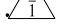
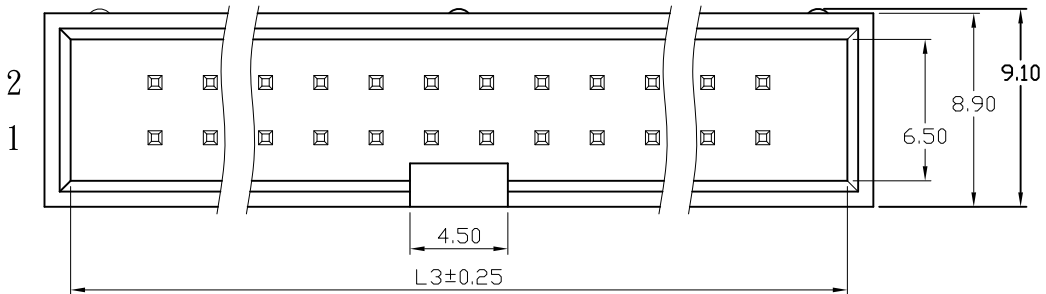
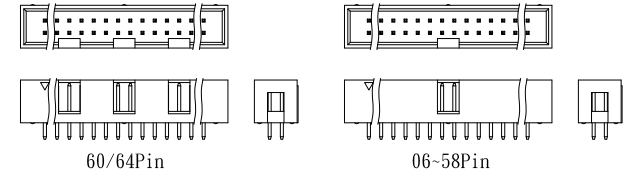


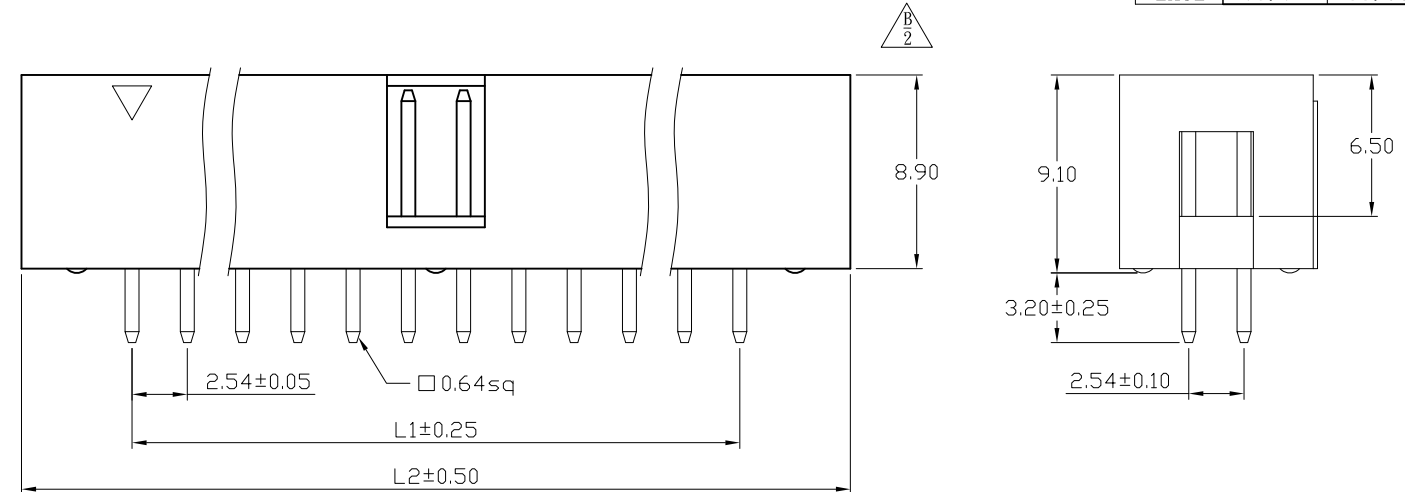
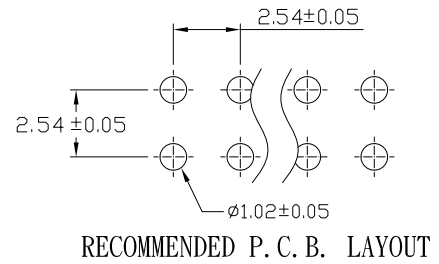
SPECIFICATIONS

Current Rating: 
 3 Amp
 Voltage Rating:
 230V
 Insulator resistance:
 5000 Megohms Min.
 Contact resistance:
 20 m ohms Max.
 Dielectric withstanding:
 AC 500V/minute
 Operating Temperature:
 -40°~+105°C
 Contact Material:
 Brass
 Insulator Material:
 Polyester UL94V-0
 Standard Color: Black
 Finish:
 Duplex plated:
 Gold plated on contact area
 Tin on solder area

★ There are two gaps additional if more than 60 pins.




| Cir- cuits | Dimension mm | | |
|---------------|--------------|-------|-------|
| | L1 | L2 | L3 |
| 2x3 | 5.08 | 15.24 | 12.84 |
| 2x4 | 7.62 | 17.78 | 15.38 |
| 2x5 | 10.16 | 20.32 | 17.92 |
| 2x6 | 12.70 | 22.86 | 20.46 |
| 2x7 | 15.24 | 25.40 | 23.00 |
| 2x8 | 17.78 | 27.94 | 25.54 |
| 2x9 | 20.32 | 30.48 | 28.08 |
| 2x10 | 22.86 | 33.02 | 30.62 |
| 2x12 | 27.94 | 38.10 | 35.70 |
| 2x13 | 30.48 | 40.64 | 38.24 |
| 2x15 | 35.56 | 45.72 | 43.32 |
| 2x17 | 40.64 | 50.80 | 48.40 |
| 2x20 | 48.26 | 58.42 | 56.02 |
| 2x21 | 50.80 | 60.96 | 58.56 |
| 2x22 | 53.34 | 63.50 | 61.10 |
| 2x23 | 55.88 | 66.04 | 63.64 |
| 2x25 | 60.96 | 71.12 | 68.72 |
| 2x26 | 63.50 | 73.66 | 71.26 |
| 2x27 | 66.04 | 76.20 | 73.80 |
| 2x28 | 68.58 | 78.74 | 76.34 |
| 2x29 | 71.12 | 81.28 | 78.88 |
| 2x30 | 73.66 | 83.82 | 81.42 |
| 2x32 | 78.74 | 88.90 | 86.50 |



RoHS Compliant

MORETHANALL
 PCB CONNECTORS
 Cable ASSEMBLIES
煜倫股份有限公司
 www.morethanall.com

| | | |
|-------------------|--|---|
| DRAWING BY CY | | TOLERANCES ARE X. ± .X ± 0.38 .XX ± 0.25 .XXX ± ANG ± 3° |
| CHECKED BY GENIUS | | |
| UNIT / mm | SCALE 1 : 1 | |
| DATE | | |
| SIZE A4 | PPOJECTION  | |



ORDER INFORMATION

B-DS30-xx-LF
 SERIES | LEADFREE
 | 06-64WAY
 | SEMI GOLD 30u"
 | DIP 180°

DESCRIPTION: