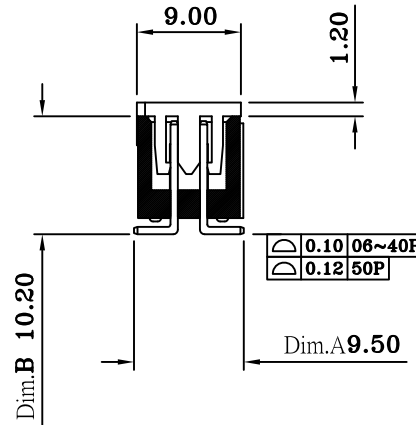
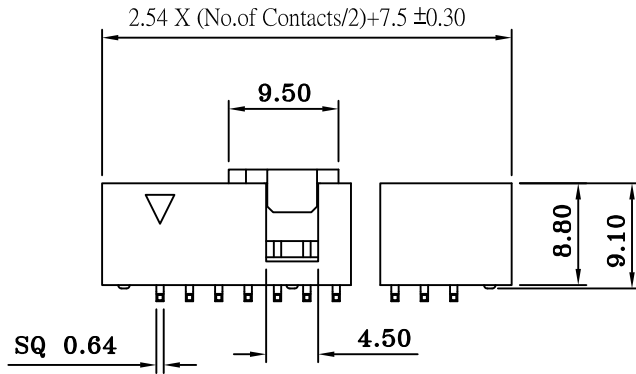


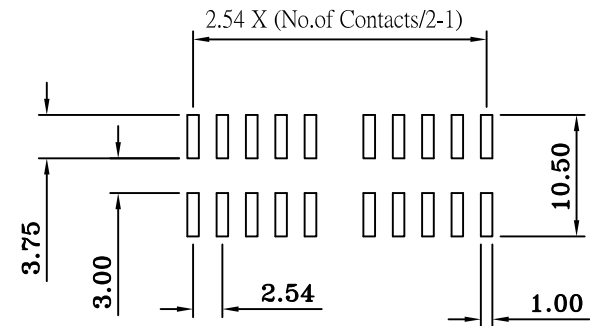
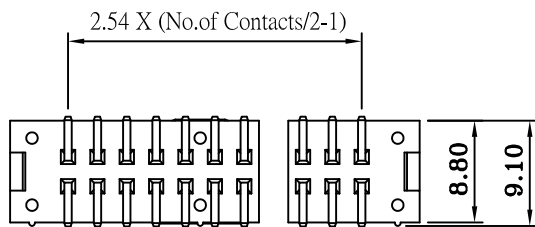
Current Rating: 3 Amps
 Insulator Resistance: 5000 Megohms min
 Contact Resistance: 20 m ohms max
 Dielectric Withstanding: 1000 V AC
 Operating Temperature: - 40° ~ +105° C
 Max Processing Temp: 230° C for 60 seconds
 Max Processing Temp: 260° C for 10 seconds
 Contact Material: Copper Alloy
 Insulator Material: High Temperature Polyester, UL 94V-0

Finish: Tin, Gold Plated
 Standard: Gold Flash all over



06~20 pin : 0.20 mm MAX.
 24~50 pin : 0.30 mm MAX.

Recommended P.C. Board SMD Layout



RoHS Compliant

TOLERANCES ARE

MORETHANALL
 PCB CONNECTORS
 Cable ASSEMBLIES

DRAWING BY CY

X, ±

CHECKED BY GENIUS

.X ± 0.30

UNIT / mm

SCALE 1 : 1

.XX ± 0.20

DATE

.XXX ± 0.10

ANG ±

SIZE A4

PJECTION

照片框

ORDER INFORMATION

B-VCR-xx-LF
 SERIES | REEL | CAP 180°SMT
 LEADFREE
 06-50WAY

煜倫股份有限公司

www.morethanall.com

DESCRIPTION:

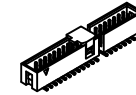
NOTE:

1. 10 sprocket hole pitch cumulative tolerance±0.2
 2. Carrier camber is 1mm in 100mm
 3. A0 and B0 measured on a plane 0.3mm above the bottom of the pocket
 4. K0 measured from a plane on the inside bottom of the pocket to the top surface of the carrier
 5. All dimensions meet EIA-481-2 requirements
- ◎: 6. 22"1R= 18M 600PCS 13"1R= 6M 200PCS (44P以上使用)
 22"1R= 16.5M 750PCS 13"1R= 5.5M 250PCS (06~40P使用)

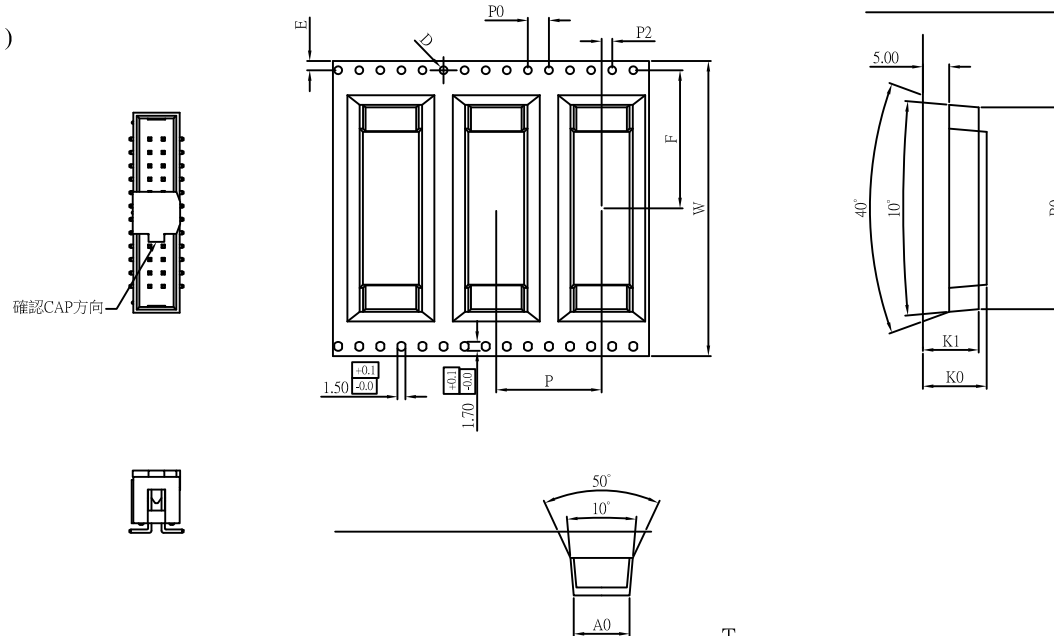
CIRCUITS	W	B0	F
* 06	◎: 44	15.42	20.20
* 08	◎: 44	17.96	20.20
* 10	◎:◎:32	20.50	14.20
12	44	23.04	20.20
* 14	44	25.58	20.20
* 16	◎: 56	28.12	26.20
* 20	56	33.20	26.20
* 24	◎:◎: 56	38.28	26.20
◎: 26	◎:◎: 56	40.82	26.20
30	72	45.90	34.20
34	72	50.98	34.20
* 40	◎: 72	58.60	34.20
50	88	71.30	42.20

MATERIAL :P.S0.4黑色

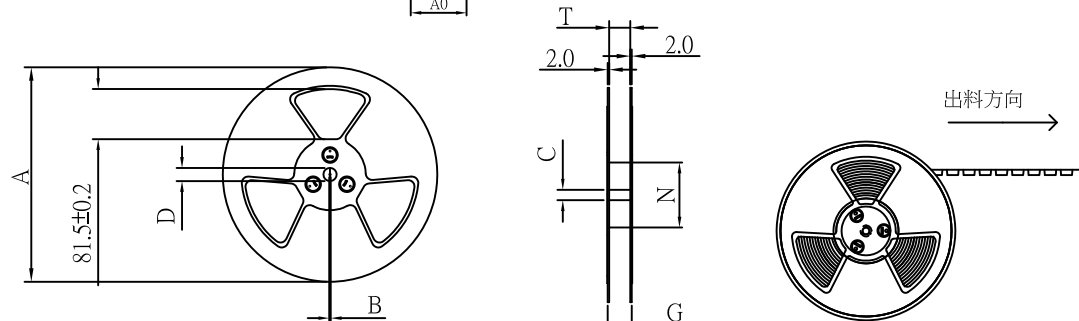
ITEM	A0	K0	K1	P	E	D	P0	P2
DIM	10.6 ^{+0.2} _{-0.1}	12.1 ^{+0.2} _{-0.1}	10.6 ^{+0.2} _{-0.1}	20 ^{+0.1} _{-0.1}	1.75 ^{+0.1} _{-0.1}	1.5 ^{+0.1} _{-0.0}	4.0 ^{+0.1} _{-0.1}	2.0 ^{+0.1} _{-0.1}



TAPE TYPE 2 : FOR POSITION NUMBERS
 06 AND ABOVE(TAPE WIDTH ≥ 32mm)



Dimension							Carrier Tape
A	B±0.5	C±0.2	D±1.0	N±1.0	T±0.1	G±0.1	W
330	2.2	13	20.2	100	8.5	13.1	8
330	2.2	13	20.2	100	12.5	17.1	12
330	2.2	13	20.2	100	17	21.1	16
330	2.2	13	20.2	100	24.5	29.1	24
330	2.2	13	20.2	100	32.5	37.0	32
330	2.2	13	20.2	100	44.5	49.1	44
330	2.2	13	20.2	100	56.5	61.1	56
330	2.2	13	20.2	100	72.5	77.1	72
330	2.2	13	20.2	100	88.5	93.1	88



RoHS Compliant

TOLERANCES ARE

MORETHANALL
 PCB CONNECTORS
 Cable ASSEMBLIES

DRAWING BY CY

CHECKED BY GENIUS

UNIT / mm SCALE 1 : 1

DATE

SIZE A4 PPROJECTION

X, ±
 X ± 0.30
 .XX ± 0.20
 .XXX ± 0.10
 ANG ±

照片框

ORDER INFORMATION

B-VCR-xx-LF
 SERIES REEL CAP 180°SMT
 LEADFREE
 06-50WAY

煜倫股份有限公司

www.morethanall.com

DESCRIPTION: