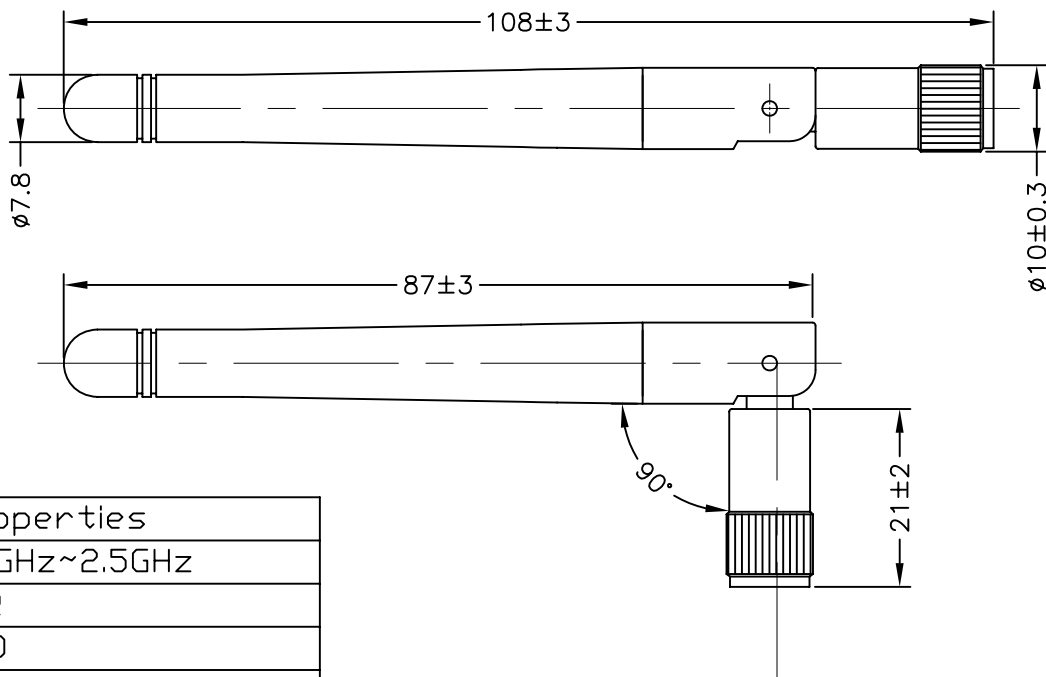


Antenna type: Co-linear dipole structure



Electrical Properties	
Frequency Range	2.4GHz~2.5GHz
Impedance	50Ω
V.S.W.R	≤2.0
Radiation	Omni
Gain	2dBi
Polarization	Vertical
Mechanical Properties	
Whip	PC/PBT/TPEE
Standard Connector	Reverse SMA Plug
Weight	8.5±0.3g(est)
Operating Temp	-20°C~+65°C

RoHS Compliant

TOLERANCES ARE

**MORETHANALL**  
PCB CONNECTORS  
Cable ASSEMBLIES

煜倫股份有限公司

www.morethanall.com

DRAWING BY CY

CHECKED BY GENIUS

UNIT / mm

SCALE 1:1

DATE

SIZE A4

X ± 0.50

.X ± 0.38

.XX ± 0.25

.XXX ± 0.10

ANG ±

PPOJECTION

照片框

ORDER INFORMATION

ANTRPSMA-1S1F-M10C8-LF

SERIES

ST

LEADFREE

108mm

MALE

FOLDABLE

DESCRIPTION: 2 dBi Antenna black