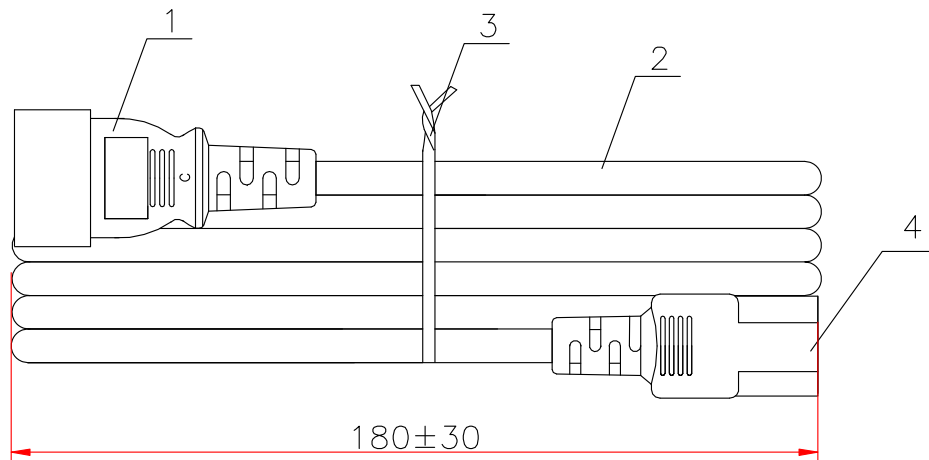
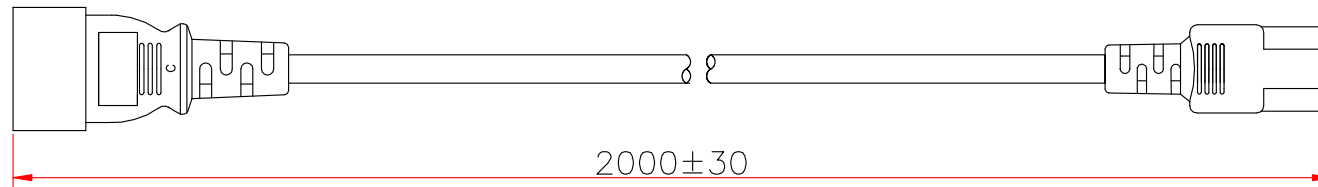
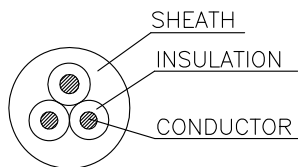


PLUG MARK	
N16534 10A 250V~	
CONNECTOR MARK	
N16493 10A 250V~	



CORD SECTION:



CORD MARKING:

PHINO Cabo H05VV-F 3G0.75mm² <VDE> KEMA-KEUR IEMMEQU +++++ <VDE>
 CEBEC (S) (N) (D) (F) SABS SANS 60227-5 60227 IEC 53 300/500V CE Cn -LF-
 ROLL NO: 1,2,3...
 CHINA FACTORY

1. PVC MOLDED PLUG: (BLACK)
 2. PVC FLEXIBLE CORD: 3G0.75MM² (BLACK)
 3. ELLIPTIC TIE (BLACK)
 4. PVC MOLDED CONNECTOR: (BLACK)
- NOTE: ALL MATERIALS ARE RoHS COMPLIANCE .

RoHS Compliant

TOLERANCES ARE

MORETHANALL
 PCB CONNECTORS
 Cable ASSEMBLIES

DRAWING BY CY

CHECKED BY GENIUS

UNIT / mm

SCALE 1 : 1

DATE

SIZE A4

X, ±
 .X ±
 .XX ±
 .XXX ±
 ANG ±

PJECTION

照片框

ORDER INFORMATION

ACFX2-030318-E2M-LF

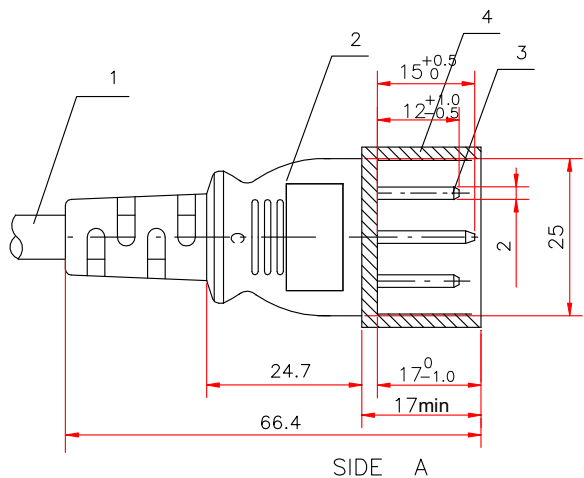
SERIES

LEADFREE
 2000mm
 MALE TO FEMALE
 18 AWG
 03 TO 03 WAY

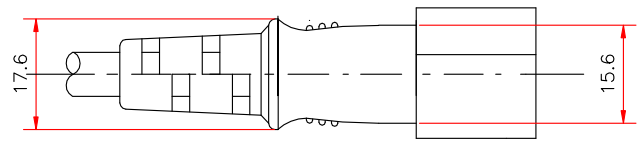
煜倫股份有限公司

www.morethanall.com

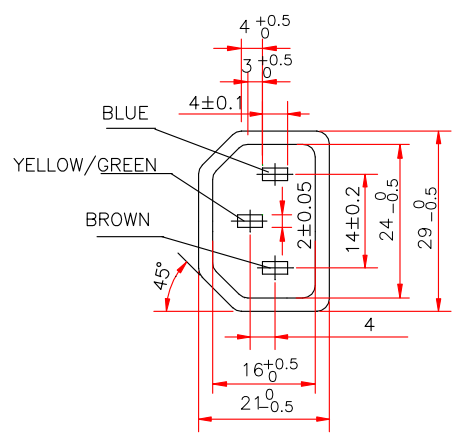
DESCRIPTION:



SIDE A



SIDE B



SIDE A:

N16534
10A 250V~

SIDE B:



- 1. PVC FLEXIBLE CORD
- 2. PVC MOLDED PLUG
- 3. PIN: NICKEL PLATING
- 4. CRUST

RoHS Compliant

TOLERANCES ARE



煜倫股份有限公司

www.morethanall.com

DRAWING BY CY

CHECKED BY GENIUS

UNIT / mm SCALE 1 : 1

DATE

SIZE A4

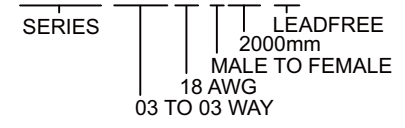
- > 20:±2.0
- ≤ 20:±1.0
- ≤ 10:±0.5
- ≤ 1.0:±0.3

PJECTION

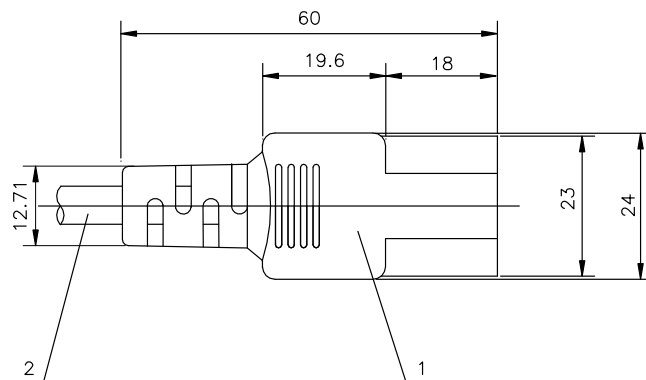


ORDER INFORMATION

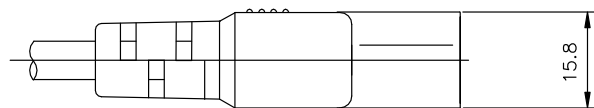
ACFX2-030318-E2M-LF



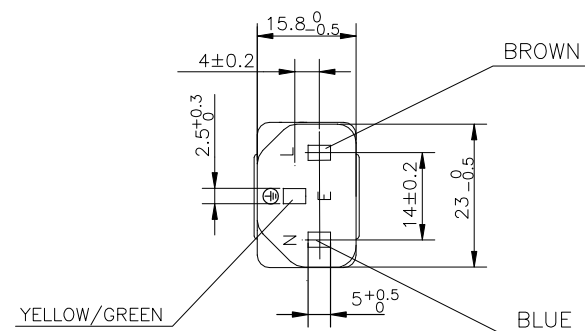
DESCRIPTION:



A



B



- 1. PVC CONNECTOR BODY
- 2. PVC FLEXIBLE CORD

SIDE A:

SIDE B:



N16493
10A 250V~

RoHS Compliant

TOLERANCES ARE

MORETHANALL
PCB CONNECTORS
Cable ASSEMBLIES

煜倫股份有限公司

www.morethanall.com

DRAWING BY CY

CHECKED BY GENIUS

UNIT / mm

SCALE 1 : 1

DATE

SIZE A4

>20:±2.0

≤20:±1.0

≤10:±0.5

≤1.0:±0.3

PJECTION

照片框

ORDER INFORMATION

ACFX2-030318-E2M-LF

SERIES

LEADFREE

2000mm

MALE TO FEMALE

18 AWG

03 TO 03 WAY

DESCRIPTION: