

### SPECIFICATION

**A. MATERIAL:**

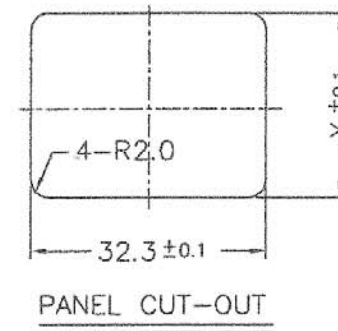
1. HOUSING: NYLON 66 FLAMMABILITY UL 94V-0
2. TERMINAL: COPPER ALLOY, TIN-PLATED

**B: CHARACTERISTICS:**

1. RATING: 10A 250V~
2. INSULATION RESISTANCE: 100MΩ MIN, AT 500V DC
3. ELECTRIC STRENGTH: AC 2,000V FOR ONE MINUTE

**C: APPROVALS:**

UL, CSA, ENEC & CCC



THICKNESS:  
 0.8~1.2t X=25.2  
 1.3~2.0t X=25.4

**RoHS Compliant**

TOLERANCES ARE

**MORETHANALL**  
 PCB CONNECTORS  
 Cable ASSEMBLIES

DRAWING BY CY

X. ±

CHECKED BY GENIUS

.X ± 0.3

UNIT / mm

SCALE 1:1

.XX ± 0.2

DATE

.XXX ± 0.1

ANG ±

SIZE A4

PJECTION

照片框

**ORDER INFORMATION**

ACF-SQ6PA-03-LF  
 SERIES | | | LEADFREE  
 | | | 03WAY  
 | | | PANEL FRONT  
 | | | 6.3mm  
 | | | QUICK TAB  
 | | | FEMALE

煜倫股份有限公司

www.morethanall.com

DESCRIPTION: