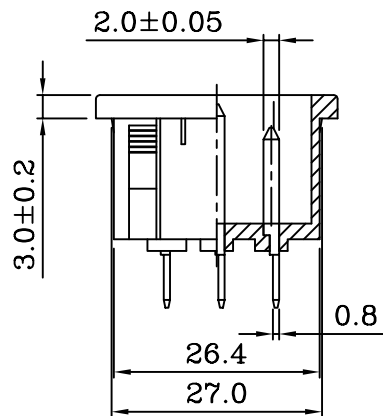


THICKNESS	C
0.8t-1.0t	20.1
1.0t-1.2t	20.2
1.2t-1.5t	20.2
2t	20.3
3.5t	20.4

PANEL CUT-OUT



A		
Q4	S4	Q6
4.8	4.0	6.35
B		
(27.8)	(25.8)	(27.8)

Notes:

**SPECIFICATION:**

1. Insulation Resistance: Over 100MΩ at 500V DC.
2. Dielectric strength: 2000V AC 1 Minute.
3. Body Material: Thermoplastic 94V-0~2.

Rating:AC 10A 250V	
Mark	Safety Regulation
	CCC
	VDE
	ENEC
Rating:AC 15A 250V	
Mark	Safety Regulation
	UL
	CUL

RoHS Compliant

TOLERANCES ARE

**MORETHANALL**  
PCB CONNECTORS  
Cable ASSEMBLIES

煜倫股份有限公司

www.morethanall.com

DRAWING BY CY

CHECKED BY GENIUS

UNIT / mm SCALE 1 : 1

DATE

SIZE A4

X, ±  
.X ± 0.30  
.XX ± 0.20  
.XXX ± 0.10  
ANG ±

P PROJECTION

照片框

ORDER INFORMATION

ACF-PxxPAXx-03-LF  
SERIES | LEADFREE  
MALE | PANEL FRONT  
Q4:4.8mm  
S4:4.0mm  
Q6:6.35mm

DESCRIPTION: