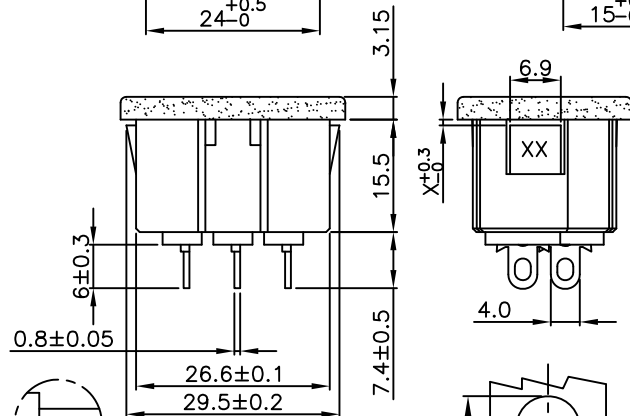
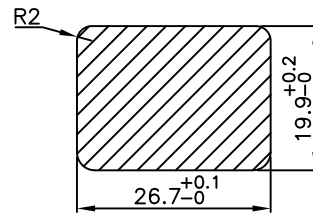
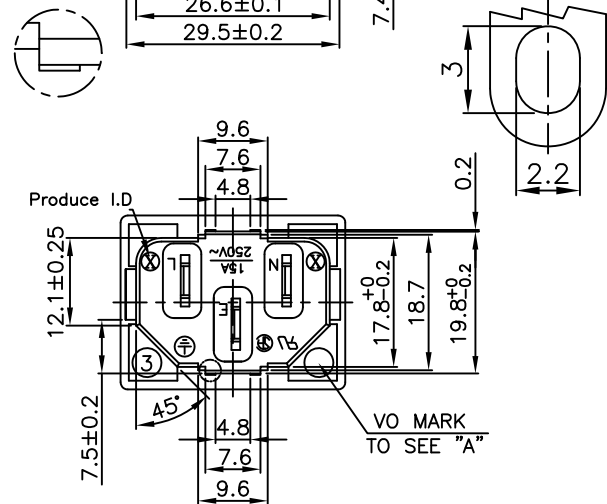


PANEL CUTOUT



Rating:15A 250V AC  
 Approvals:UL/CSA  
 Rating:10A 250V AC  
 Approvals:VDE/SEMKO/CCC



Part No.	X	Material	Color	A	Terminal Cladding
ACF-PS4PA06-03	0.6	PC	Black		Bright tin
ACF-PS4PA07-03	0.7	PC	Black		Bright tin
ACF-PS4PA08-03	0.8	PC	Black		Bright tin
ACF-PS4PA10-03	1.0	PC	Black		Bright tin
ACF-PS4PA12-03	1.2	PC	Black		Bright tin
ACF-PS4PA15-03	1.5	PC	Black		Bright tin
ACF-PS4PA16-03	1.6	PC	Black	V0	Bright tin
ACF-PS4PA20-03	2.0	PC	Black		Bright tin
ACF-PS4PA30-03	3.0	PC	Black		Bright tin

3	Contact PIN Brass Strip t=2mm Tin-Plated	2
2	Contact PIN Brass Strip t=2mm Tin-Plated	1
1	Body Insulator PC	1

RoHS Compliant

TOLERANCES ARE

**MORETHANALL**  
 PCB CONNECTORS  
 Cable ASSEMBLIES

煜倫股份有限公司

www.morethanall.com

DRAWING BY CY

CHECKED BY GENIUS

UNIT / mm SCALE 1 : 1

DATE

SIZE A4

X. ± 0.40

.X ± 0.20

.XX ± 0.10

.XXX ±

ANG ± 1°

PJECTION

照片框

ORDER INFORMATION

ACF-PS4PAXx-03-LF

SERIES | | | LEADFREE  
 x 03 WAY  
 06:0.6mm  
 30:3.0mm  
 MALE | PANEL FRONT  
 4.0mm SOLDER

DESCRIPTION: