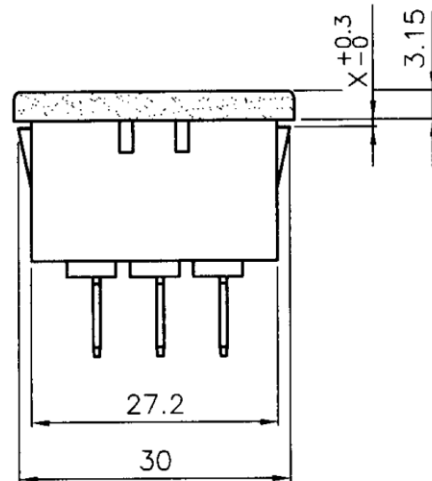


PANEL CUTOUT



X:0.8,1.0,1.2,1.3,1.5,1.8,2.0,3.0mm

Rating:15A 250V AC  
 Approvals:UL/CSA  
 Rating:10A 250V AC  
 Approvals:VDE/SEMKO/CCC

3	Contact PIN Brass Strip t=2mm Ni-Plated	2
2	Contact PIN Brass Strip t=2mm Ni-Plated	1
1	Body Insulator PC Black Color	1

**MORETHANALL**  
 PCB CONNECTORS  
 Cable ASSEMBLIES  
 煜倫股份有限公司

www.morethanall.com

RoHS Compliant

DRAWING BY CY  
 CHECKED BY GENIUS  
 UNIT / mm SCALE 1:1  
 DATE

TOLERANCES ARE

X.±  
 .X±  
 .XX±  
 .XXX±  
 ANG±

SIZE A4

PPOJECTION

照片框

ORDER INFORMATION

ACF-PQ6PAxx-03-LF  
 SERIES | LEADFREE  
 03 WAY  
 08:0.8mm  
 30:3.0mm  
 MALE  
 6.3mmTAB  
 PANEL FRONT

DESCRIPTION: