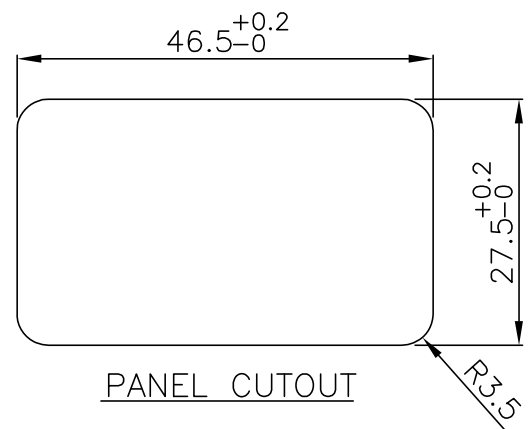
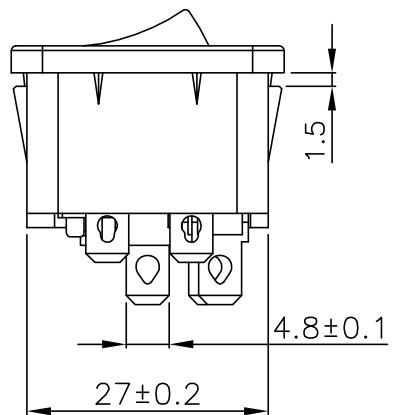


SOCKET

RATING: 10A250V \overline{dc}
 APPROVED: UL,CSA
 CCC,KC,TUV

SWITCH

Rating:10GPA/250V AC 50/60Hz T85
 TV-5/125V AC 50/60Hz T85
 Approvals:UL/cUL
 Rating:8A/80A 250V AC 1E4 T85
 10(4)A 250V AC 1E4 T85
 Approvals:ENEC/CQC/KTL



MORETHANALL
 PCB CONNECTORS
 Cable ASSEMBLIES
 煜倫股份有限公司
 www.morethanall.com

RoHS Compliant		TOLERANCES ARE
DRAWING BY CY		X, ±
CHECKED BY GENIUS		.X ±
UNIT / mm	SCALE 1 : 1	.XX ±
DATE		.XXX ±
SIZE A4	P PROJECTION	ANG ±



ORDER INFORMATION

ACF-PQ4FSSWPA15-03-LF

SERIES	MALE	SWITCH	LEADFREE
4.8mmTAB			03 WAY
			15:1.5mm PANEL THICKNESS
			PANEL FRONT
			FUSE

DESCRIPTION: