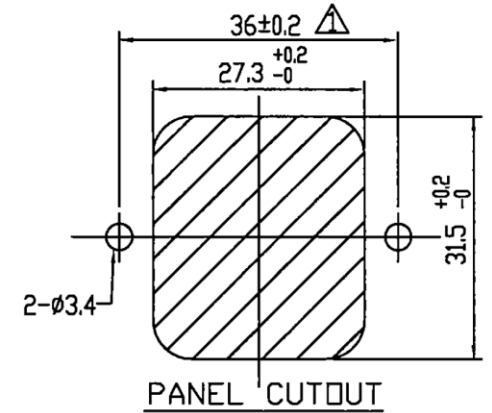
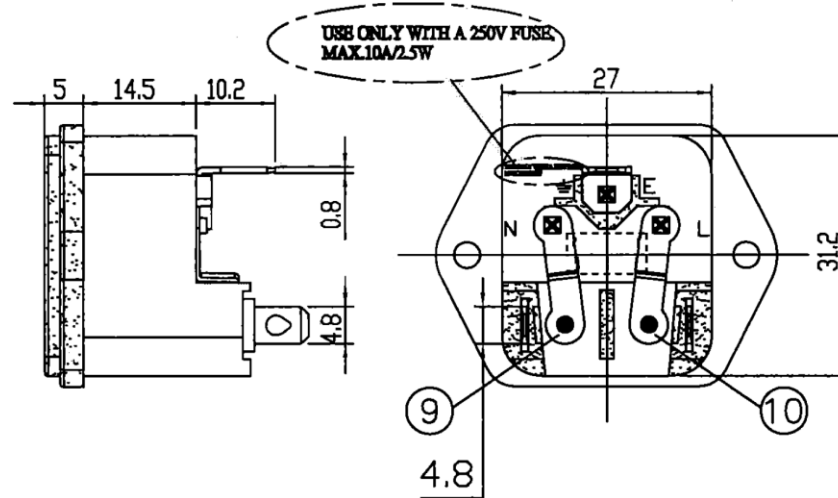
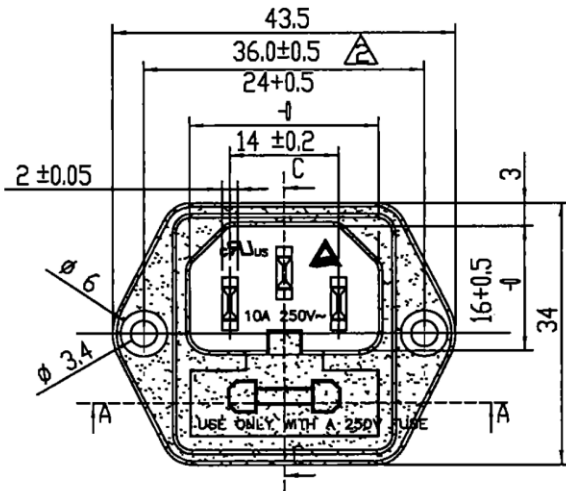


RATING: 10A250V $\delta$ c  
 APPROVED: c.UL&UL&TUV

10	TERMINAL	1	BRASS With Tin-Plated t=0.5mm
9	TERMINAL	1	BRASS With Tin-Plated t=0.5mm
8	RIVET	2	COPPER
7	FERRULE	2	BRASS With Ni-Plated t=0.5mm
6	TERMINAL	1	BRASS With Tin-Plated t=0.8mm
5	TERMINAL	2	BRASS With Tin-Plated t=0.8mm
4	TERMINAL	2	BRASS With Ni-Plated t=2.0mm
3	TERMINAL	1	BRASS With Ni-Plated t=2.0mm
2	COVER	1	NY66
1	CASE	1	NY66
NO	PART NAME	Q'TY	MATERIAL



RoHS Compliant

TOLERANCES ARE

**MORETHANALL**  
 PCB CONNECTORS  
 Cable ASSEMBLIES

DRAWING BY CY

CHECKED BY GENIUS

UNIT / mm

SCALE 1:1

DATE

SIZE A4

PJECTION

X, ±  
 X, ±  
 .XX ±  
 .XXX ±  
 ANG ±

照片框

ORDER INFORMATION

ACF-PQ4FSPE-03HV-LF  
 SERIES | | | | LEADFREE  
 MALE | | | | VERTICAL TERMINAL  
 TAB 4.8mm | | | | 03WAY HORIZONTAL  
 FUSE | | | | EAR  
 | | | | PANEL

煜倫股份有限公司

www.morethanall.com

DESCRIPTION: