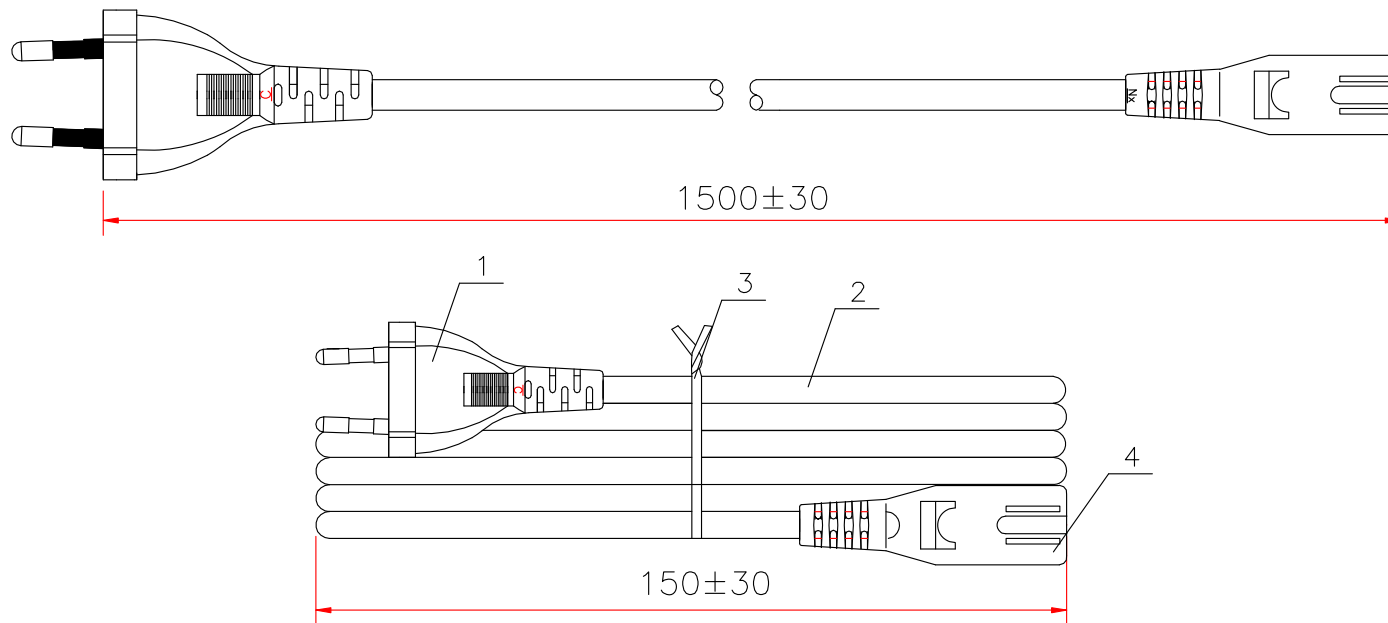
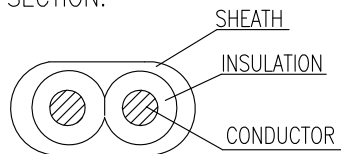


PLUG MARK	
2.5A 250V~	
CONNECTOR MARK	
	2.5A 250V~



CORD SECTION:



CORD MARKING:

PHINO Cabo H03VVH2-F 2X0.75mm<sup>2</sup> <VDE> KEMA-KEUR IEMMEQU +++++ <VDE>  
 CE BEC (S) (N) (D) (FI) SABS SANS 60227-5 60227 IEC 52 300/300V CE  $\text{Cn}$  -LF-  
 ROLL NO: 1,2,3...  
 CHINA FACTORY

1. PVC MOLDED PLUG: (BLACK)
  2. PVC FLEXIBLE CORD: 2X0.75mm<sup>2</sup> (BLACK)
  3. ELLIPTIC TIE (BLACK)
  4. PVC MOLDED CONNECTOR: (BLACK)
- NOTE: ALL MATERIALS ARE RoHS COMPLIANCE

RoHS Compliant



煜倫股份有限公司

www.morethanall.com

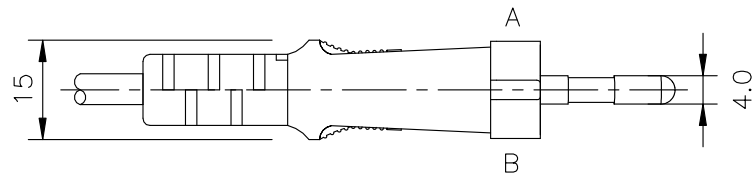
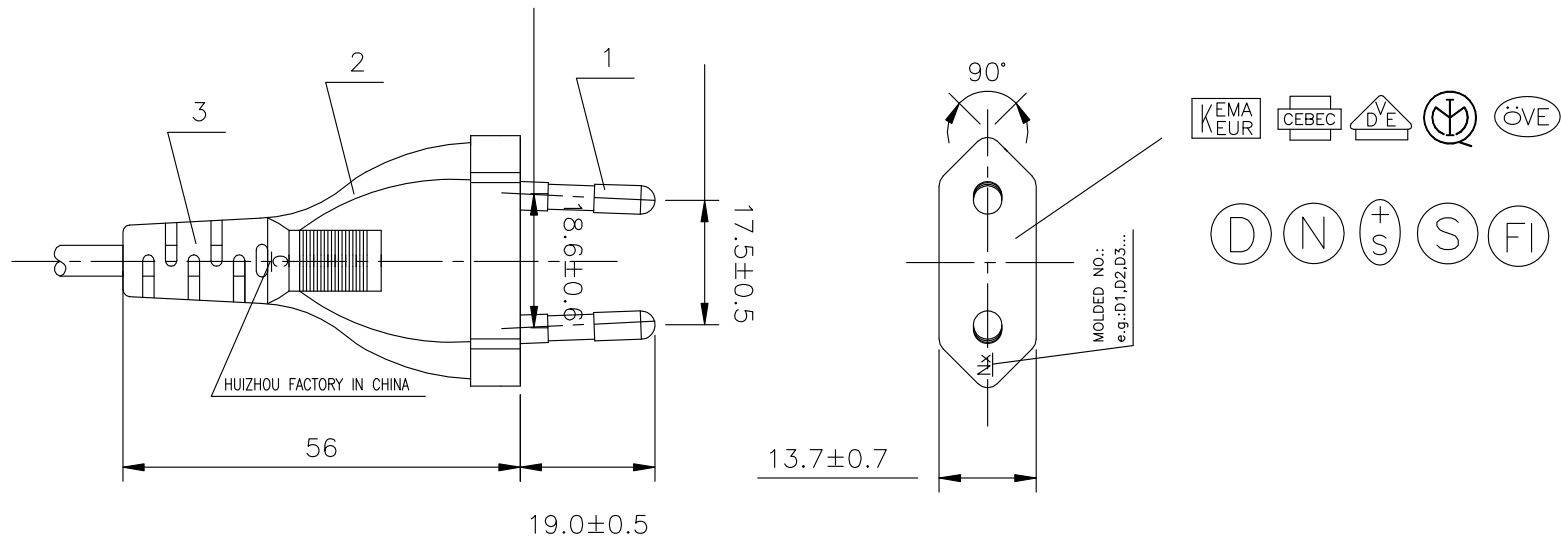
DRAWING BY CY		TOLERANCES ARE X. ± .X ± .XX ± .XXX ± ANG ±
CHECKED BY GENIUS		
UNIT / mm	SCALE 1 : 1	
DATE		
SIZE A4	P PROJECTION	

照片框

ORDER INFORMATION

ACCACR-020218-A1M5-LF  
 SERIES | LEADFREE  
 | 1500mm  
 | FEMALE TO MALE  
 | 18 AWG  
 | 02 TO 02 WAY

DESCRIPTION:



SIDE A:  
 SIDE B:  
 2.5A 250V~

- 1. PIN
- 2. PVC MOLDED PLUG
- 3. FLEXIBLE CORD

**RoHS Compliant**

TOLERANCES ARE

**MORETHANALL**  
 PCB CONNECTORS  
 Cable ASSEMBLIES  
 煜倫股份有限公司  
 www.morethanall.com

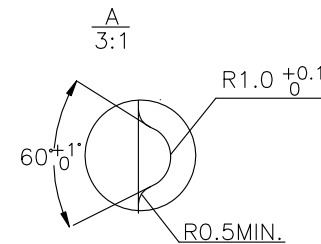
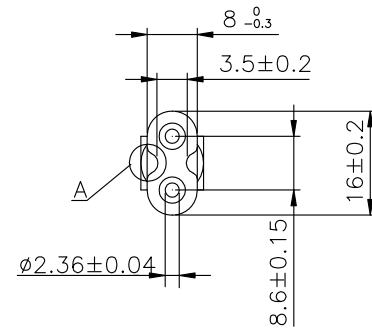
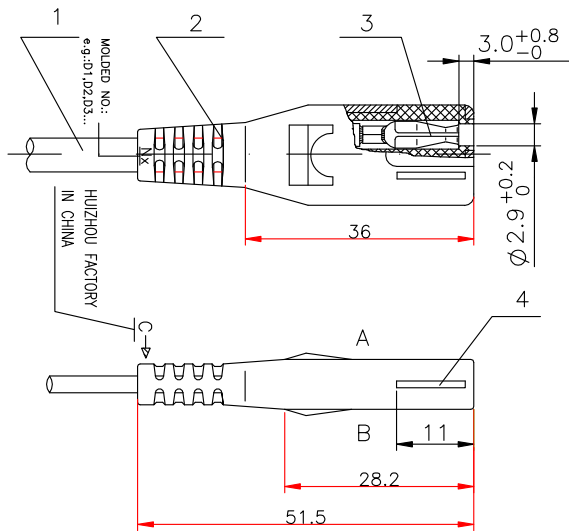
DRAWING BY CY		>20:±2.0
CHECKED BY GENIUS		≤20:±1.0
UNIT/mm	SCALE 1:1	≤10:±0.5
DATE		≤1.0:±0.3
SIZE A4	PPOJECTION	



**ORDER INFORMATION**

**ACCACR-020218-A1M5-LF**  
 SERIES | LEADFREE  
 | 1500mm  
 | FEMALE TO MALE  
 | 18 AWG  
 | 02 TO 02 WAY

DESCRIPTION:



SIDE A:



SIDE B:

2.5A250V~



1. PVC FLEXIBLE CORD.
2. PVC CONNECTOR BODY .
3. TERMINAL:  $\phi 2.36$  PHOSPHOR BRONZE TUBE .
4. INSERT OF CONNECTOR.

RoHS Compliant

TOLERANCES ARE

**MORETHANALL**  
PCB CONNECTORS  
Cable ASSEMBLIES

煜倫股份有限公司

www.morethanall.com

DRAWING BY CY

CHECKED BY GENIUS

UNIT / mm SCALE 1 : 1

DATE

SIZE A4

>20:±2.0

<20:±1.0

<10:±0.5

<1.0:±0.3

PJECTION

照片框

ORDER INFORMATION

ACCACR-020218-A1M5-LF

SERIES

LEADFREE  
1500mm  
FEMALE TO MALE  
18 AWG  
02 TO 02 WAY

DESCRIPTION: