


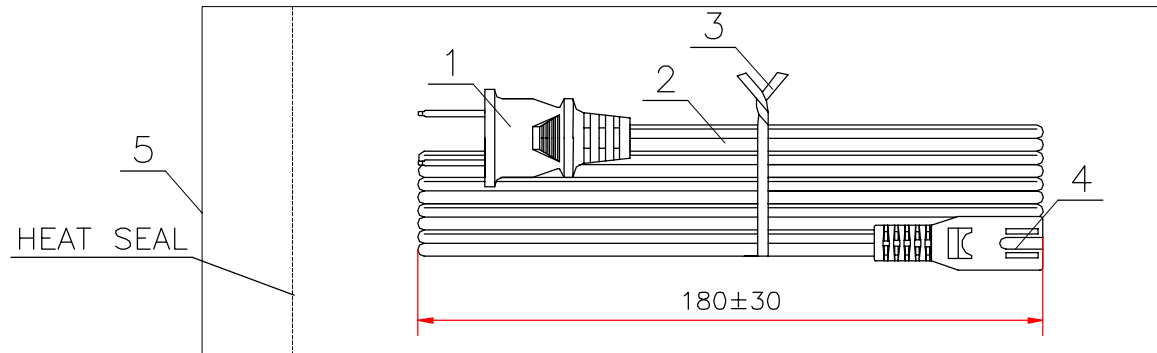
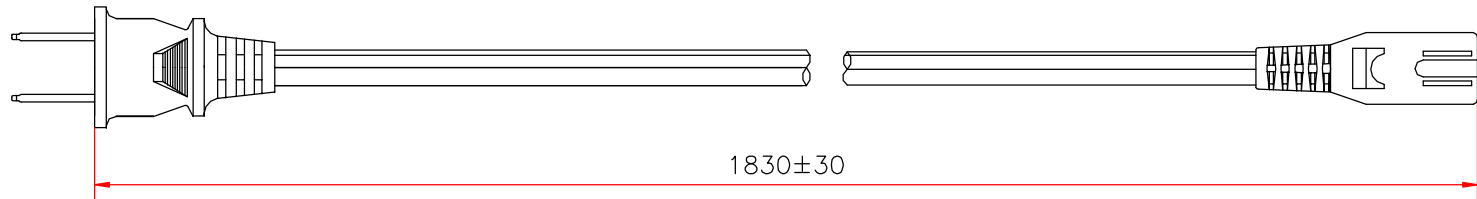
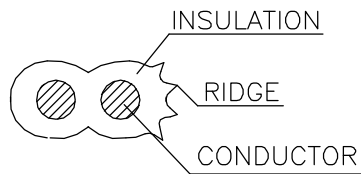


PLUG MARK	
	E94216 
7A 125V	
CONNECTOR MARK	
E94216	
7A 125V	
	



CORD SECTION



1. PVC MOLDED PLUG: (BLACK)
2. PVC FLEXIBLE CORD: SPT-2 18AWGX2C 60°C(BLACK)
3. ELLIPSE TIE (BLACK)
4. PVC MOLDED CONNECTOR: (BLACK)
5. PE BAG:280*130*0.05mm

NOTE: ALL MATERIALS ARE RoHS COMPLIANCE

CORD MARKING:

(UL) E209524 SPT-2 VW-1 60°C 2X0.824mm2(18AWG) 300V

CSA 180414 SPT-2 FT1 60°C 2X0.824mm2(18AWG) 300V Cn

CHINA FACTORY _____
 ROLL NO.: 1,2,3... _____

RoHS Compliant

TOLERANCES ARE

MORETHANALL
 PCB CONNECTORS
 Cable ASSEMBLIES

DRAWING BY CY

CHECKED BY GENIUS

UNIT / mm SCALE 1 : 1

DATE

SIZE A4

X. ±
 .X ±
 .XX ±
 .XXX ±
 ANG ±

PJECTION 

照片框

ORDER INFORMATION

ACCACF-020218-A6F-LF

SERIES

LEADFREE
 1830mm
 FEMALE TO MALE
 18 AWG
 02 TO 02 WAY

煜倫股份有限公司

www.morethanall.com

DESCRIPTION: POWER SUPPLY CORD