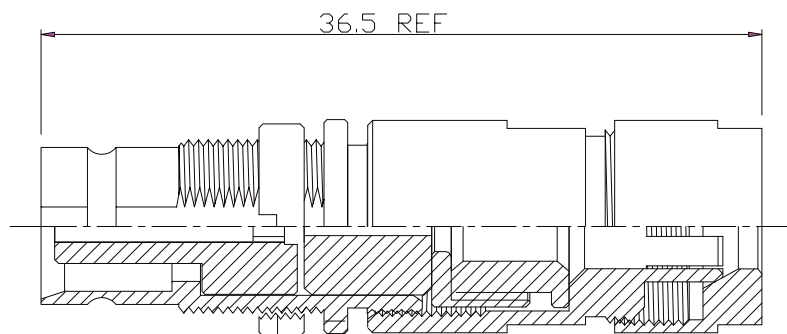


SCALE 2:1



NO.	DESCRIPTION	MATERIAL	FINISH	Q'TY
A.	BODY	BRASS	GOLD	1
B.	INSULATOR	TEFLON	WHITE	1
C.	CENTER PIN	BRASS	GOLD	1
D.	NUT	BRASS	NICKEL	1
E.	INSULATOR	TEFLON	WHITE	1
F.	INTERNAL COVER 1.	BRASS	NICKEL	1
G.	INTERNAL COVER 2.	BRASS	NICKEL	1
H.	MIDDLE COVER	BRASS	NICKEL	1
I.	BEHIND COVER	BRASS	NICKEL	1
J.				1

RoHS Compliant

TOLERANCES ARE

MORETHANALL
PCB CONNECTORS
Cable ASSEMBLIES

DRAWING BY CY

CHECKED BY GENIUS

UNIT / mm

SCALE 1:1

DATE

SIZE A4

X, ±
.X ± 0.38
.XX ± 0.25
.XXX ±
ANG ±

PJECTION

照片框

ORDER INFORMATION

1656-JSPBN-179-LF
SERIES | | | | | LEADFREE
| | | | | RG 179
| | | | | NUT
| | | | | BACK
| | | | | PANEL
| | | | | SOLDER
JACK

DESCRIPTION:

煜倫股份有限公司

www.morethanall.com