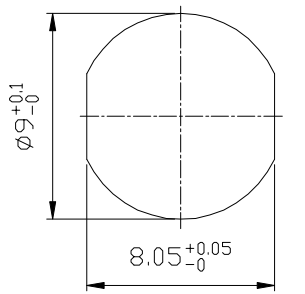
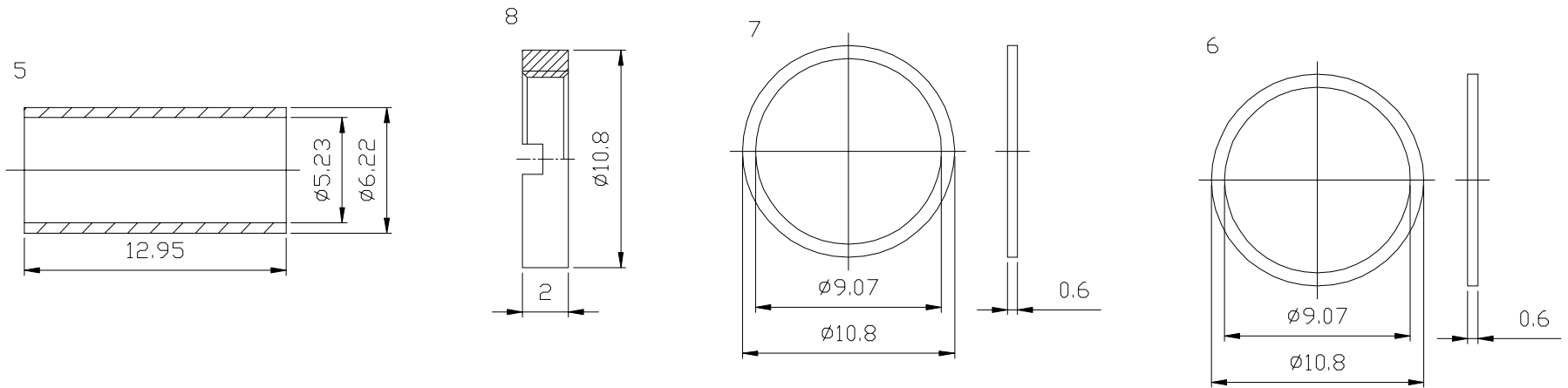
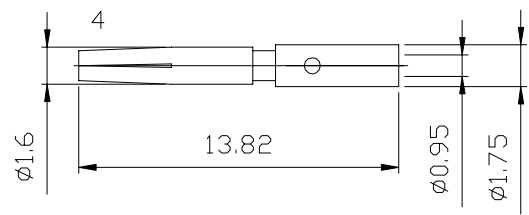
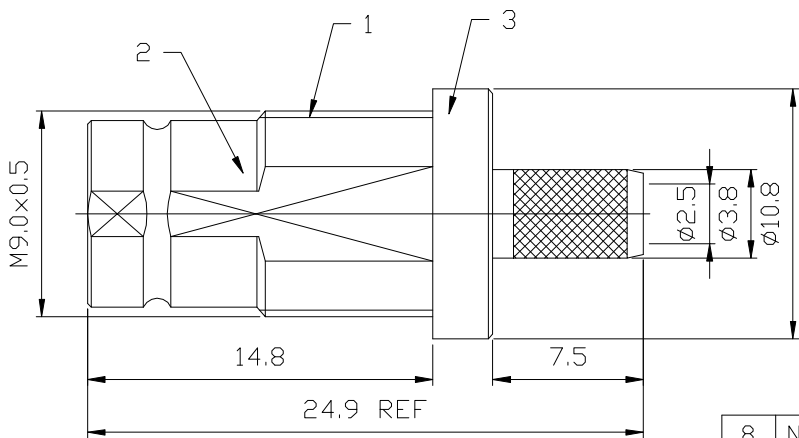


1 2 3 4 5 6 7 8 9 0

J
I
H
G
F
E
D
C
B
A



RECOMMENDED MOUNTING HOLE



8	NUT	BRASS	NICKEL	1
7	WASHER	BRASS	NICKEL	1
6	WASHER	DELFIN	NATURAL	2
5	FERRULE	BRASS	NICKEL	1
4	CONTACT PIN	BRASS	GOLD	1
3	BARREL	BRASS	NICKEL	1
2	INSULATOR	TEFLON	NONE	1
1	BODY	BRASS	GOLD	1
NO	DESCRIPTION	MATERIAL	FINISH	QTY

RoHS Compliant



PART NO.1656-JCPBNW-L91016

DWG NO. 1656-JCPBNW-L91016

CHECKED BY CY

TOLERANCES ARE

DESCRIP TION:

FILE NO.

DRAWING BY

.X ± 0.2
.XX ±
.XXX ±
AWG

煜倫股份有限公司

UNIT / mm

SCALE 1:1

PROJECTION

AREA	REVISIONS	HK	DATE
------	-----------	----	------