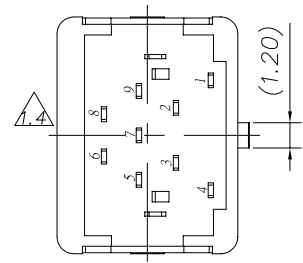
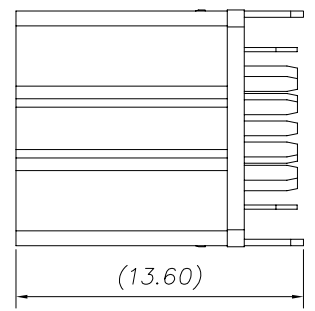
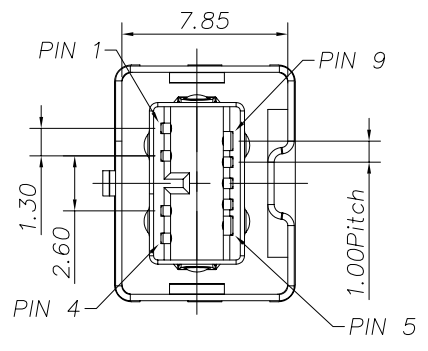


Notes:



- 1) Material :
 Inner Shell : Copper Alloy
 Outer Shell: Copper Alloy
 Housing : Thermoplastic, UL94-V0
 Contacts : Copper Alloy
- 2) Plating
 Please refer to order information



1394-BI-SD-09-LF
 LEADFREE
 RoHS Compliant

MORETHANALL
 CONNECTORS
 ASSEMBLIES

煜倫股份有限公司

PART NO. 1394-BI-SD-09

DWG NO. 1394-BI-SD-09

FILE NO.

UNIT / mm

SCALE 1:1

CHECKED BY CY

DRAWING BY

PROJECTION

TOLERANCES ARE
 .X ± 0.2
 .XX ±
 .XXX ±
 AWG

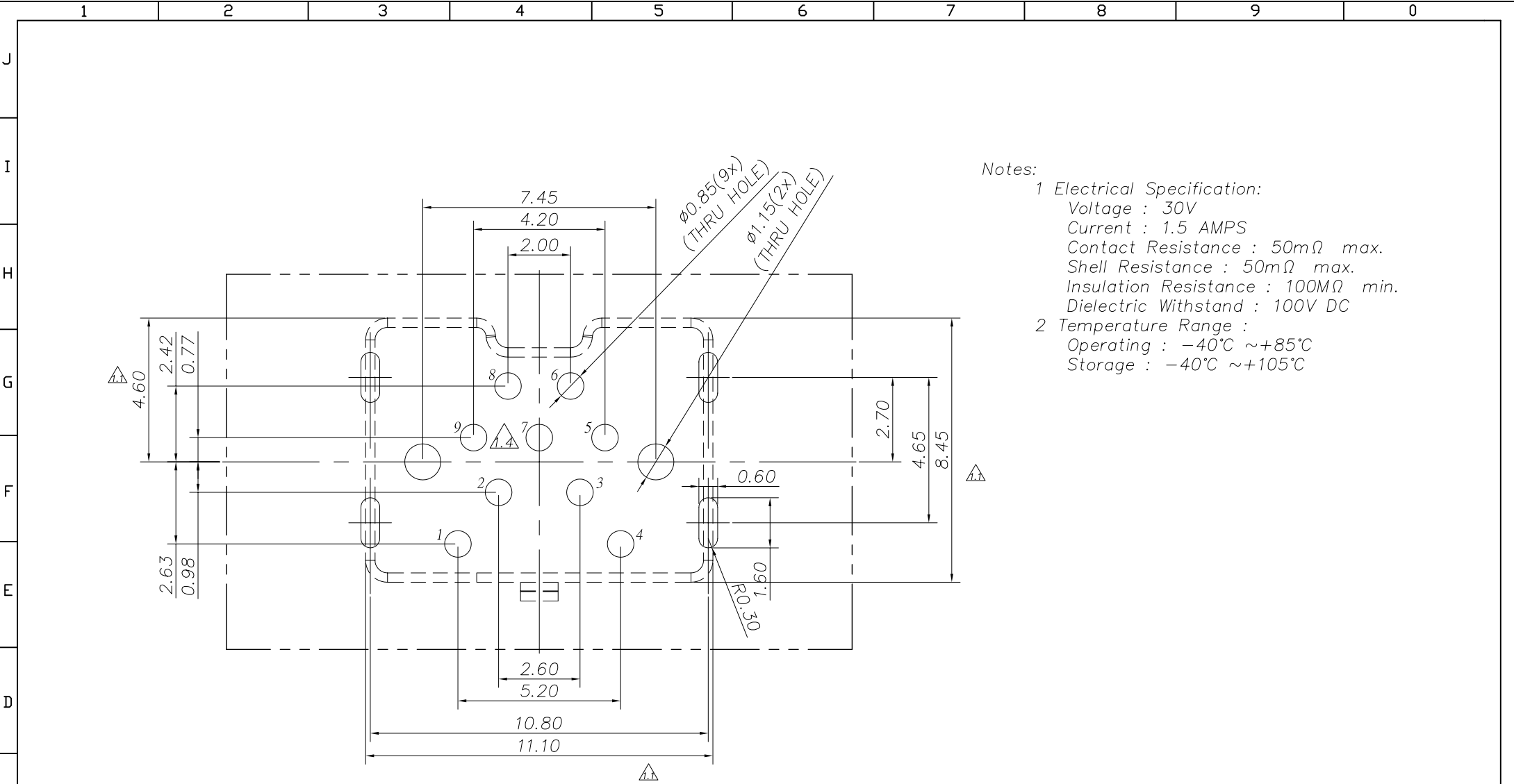
DESCRIP TION:
 AREA

1394b Bilingual Socket
 Straight (Top Entry) Connector

REVISIONS

HK

DATE



Notes:

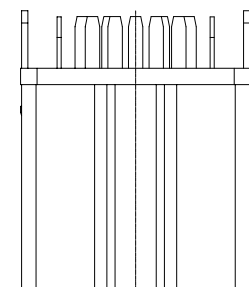
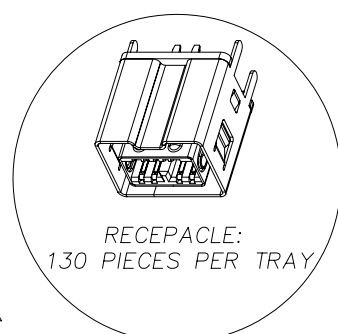
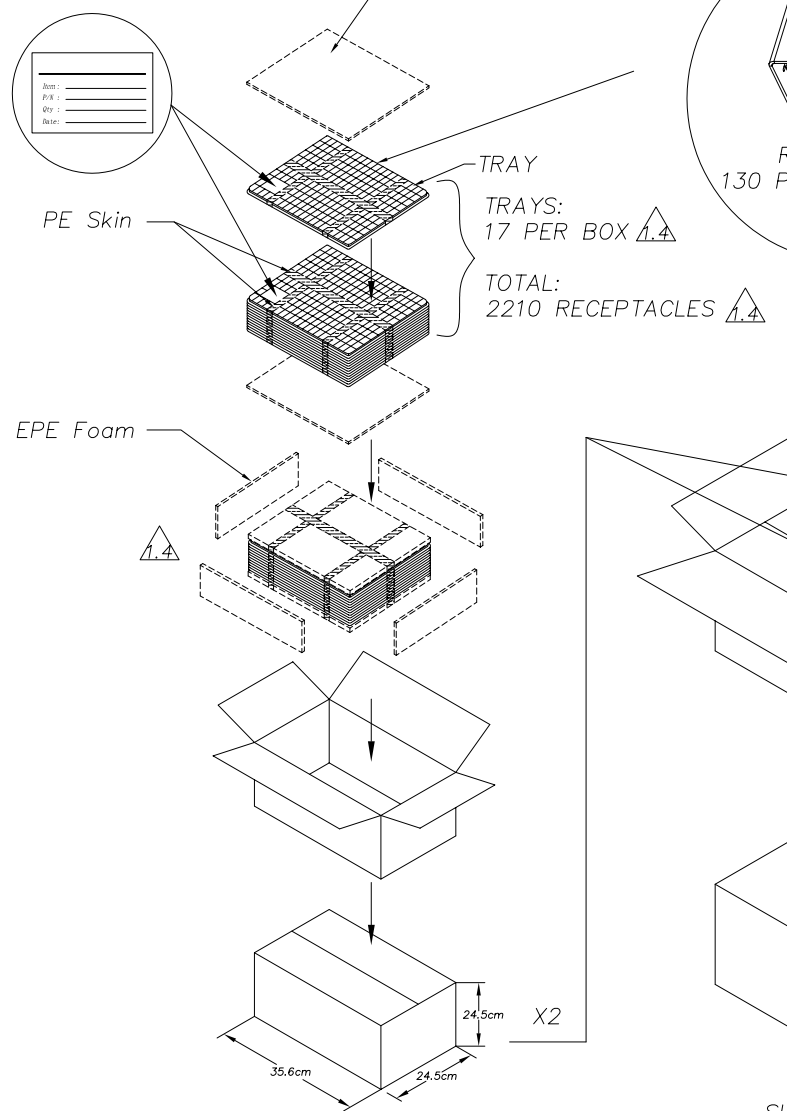
- 1 Electrical Specification:
 Voltage : 30V
 Current : 1.5 AMPS
 Contact Resistance : 50mΩ max.
 Shell Resistance : 50mΩ max.
 Insulation Resistance : 100MΩ min.
 Dielectric Withstand : 100V DC
- 2 Temperature Range :
 Operating : -40°C ~+85°C
 Storage : -40°C ~+105°C

PCB LAYER OUT

MORETHANALL
 CONNECTORS
 ASSEMBLIES

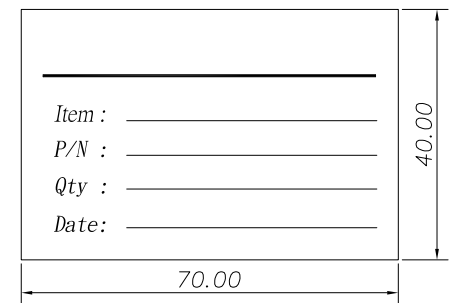
PART NO. 1394BI-SD-09		CHECKED BY CY	TOLERANCES ARE .X ± 0.2 .XX ± .XXX ± AWG	DESCRIP TION: 1394b Bilingual Socket Straight (Top Entry) Connector PCB LAYOUT		
DWG NO. 1394BI-SD-09						
FILE NO.		DRAWING BY	AREA	REVISIONS	HK	DATE
UNIT / mm	SCALE 1:1	PROJECTION				

焯倫股份有限公司



BILINGUAL SOCKET

The color of the Logo is red



SIZE: 505X371X260

MORETHANALL
CONNECTORS
ASSEMBLIES

煜倫股份有限公司

PART NO. 1394BI-SD-09	
DWG NO. 1394BI-SD-09	
FILE NO.	
UNIT / mm	SCALE 1:1

CHECKED BY CY	TOLERANCES ARE .X ± 0.2 .XX ± .XXX ± AWG
DRAWING BY	
PROJECTION	

DESCRIPTION:	1394b Bilingual Socket Straight (Top Entry) Connector		
	AREA	REVISIONS	HK DATE