

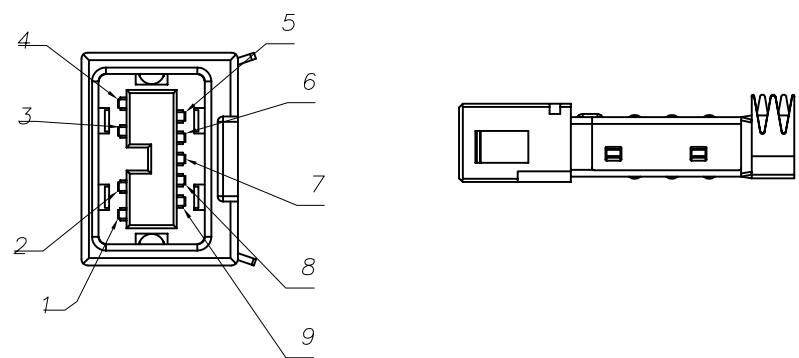
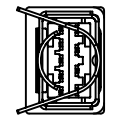
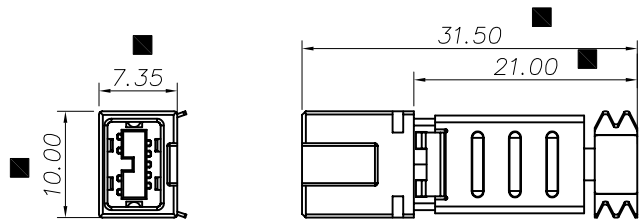
Notes:

1. Electrical Specifications:
 Voltage: 30V
 Current: 1.5 AMPS
 Contact Resistance: 50mΩ max.
 Shell Resistance: 50mΩ
 Insulation Resistance: 100 MΩ min.
 Dielectric Withstand: 100Vdc
2. Temperature Range:
 Operating: -40°C ~ +85°C
 Storage: -40°C ~ +105°C
3. QC Dimension

- Critical
- ⊠ Major
- Minor

TABLE:

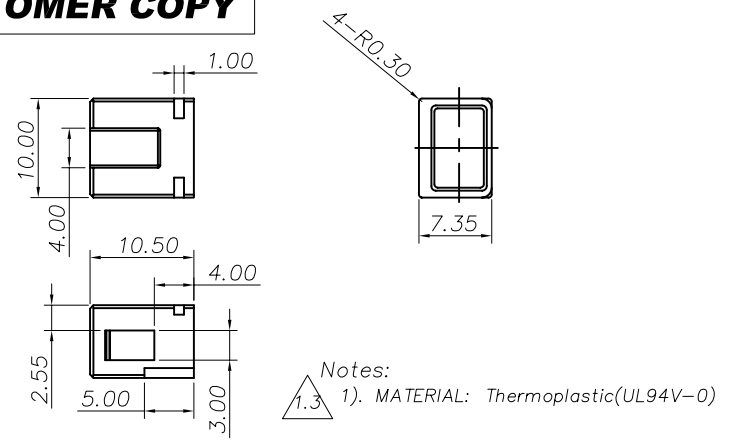
ITEM	DESCRIPTION	Quantity
A	Bilingual Cover	1 PCS
B	Main Shell	1 PCS
C	Upper Shell	1 PCS
D	Plug Kit	1 SET



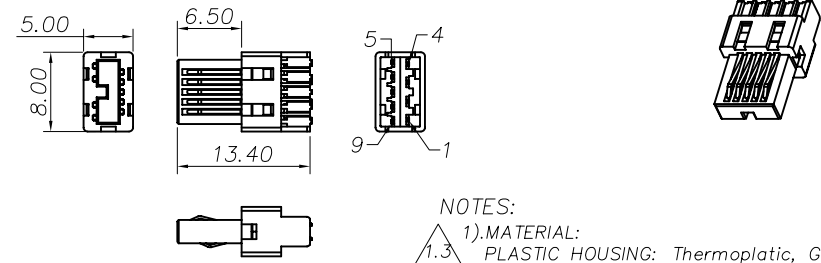
1394BI-PS-09-LF
 LEADFREE
 RoHS Compliant

	PART NO. 1394BI-PS-09		CHECKED BY CY	TOLERANCES ARE .X ± 0.2 .XX ± .XXX ± AWG	DESCRIP TION: 1394b Bilingual Plug Connector
	DWG NO. 1394BI-PS-09				
焯倫股份有限公司	FILE NO.		PROJECTION	AREA	REVISIONS
	UNIT / mm	SCALE 1:1		HK	DATE

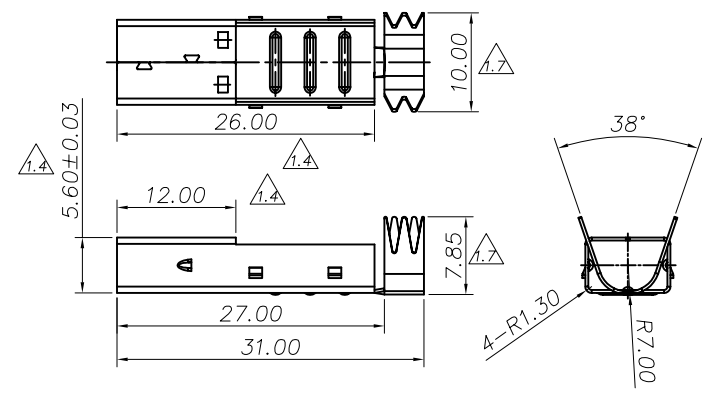
CUSTOMER COPY



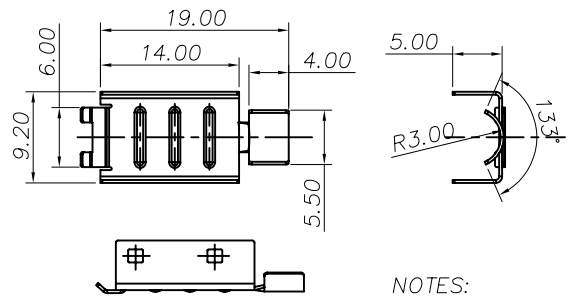
BILINGUAL COVER



PLUG KIT



MAIN SHELL



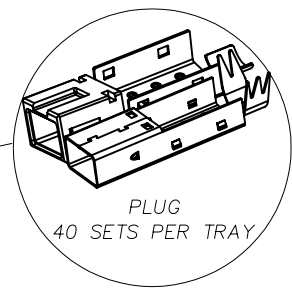
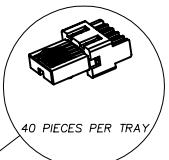
UPPER SHELL

MORETHANALL
CONNECTORS
ASSEMBLIES

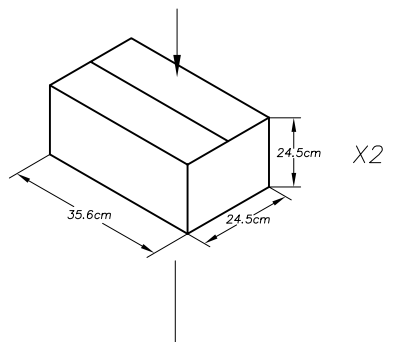
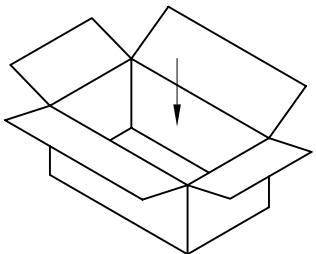
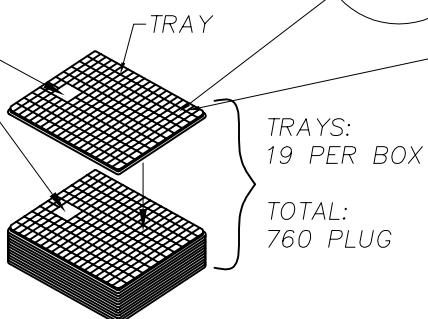
煜倫股份有限公司

PART NO. 1394BI-PS-09		CHECKED BY CY		TOLERANCES ARE .X ± 0.2 .XX ± .XXX ± AWG	DESCRIP TION:			
DWG NO. 1394BI-PS-09		DRAWING BY						
FILE NO.		PROJECTION		AREA	REVISIONS	HK	DATE	

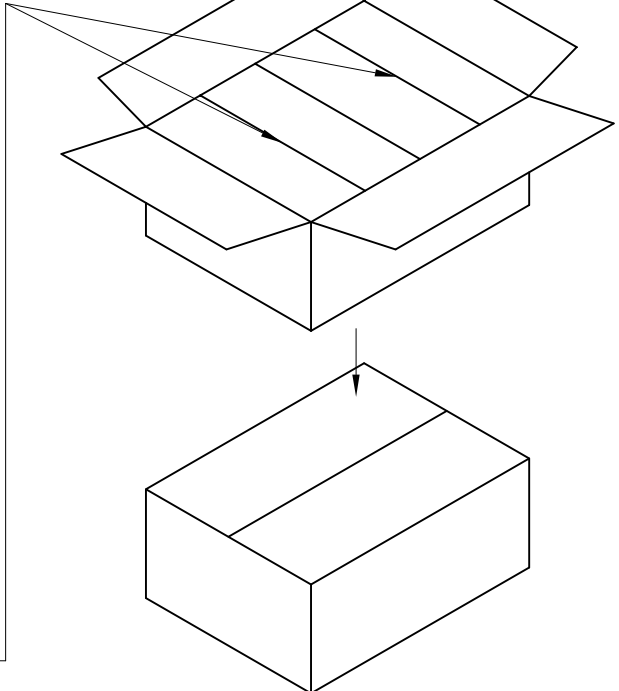
Item: _____
 P/N: _____
 Qty: _____
 Date: _____



CUSTOMER COPY



PACKING(BILINGUAL)



SIZE: 505X371X260

MORETHANALL
 CONNECTORS
 ASSEMBLIES

煜倫股份有限公司

PART NO. 1394BI-PS-09		CHECKED BY CY		TOLERANCES ARE .X ± 0.2 .XX ± .XXX ± AWG	DESCRIPTION:			
DWG NO. 1394BI-PS-09		DRAWING BY						
FILE NO.		PROJECTION		AREA	REVISIONS	HK	DATE	