

Note:

1. Material:

- 1.1 Insulator: P.B.T UL 94-V0 rated.
- 1.2 Contact: Brass, t=0.25mm.
- 1.3 Shell: Brass, t=0.40mm.

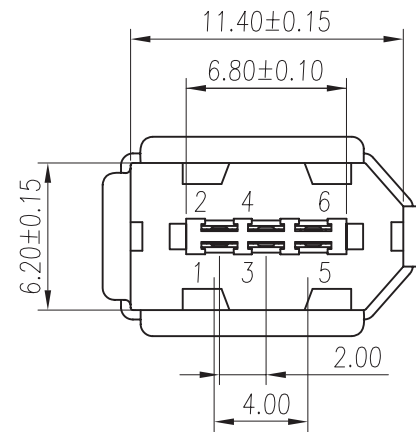
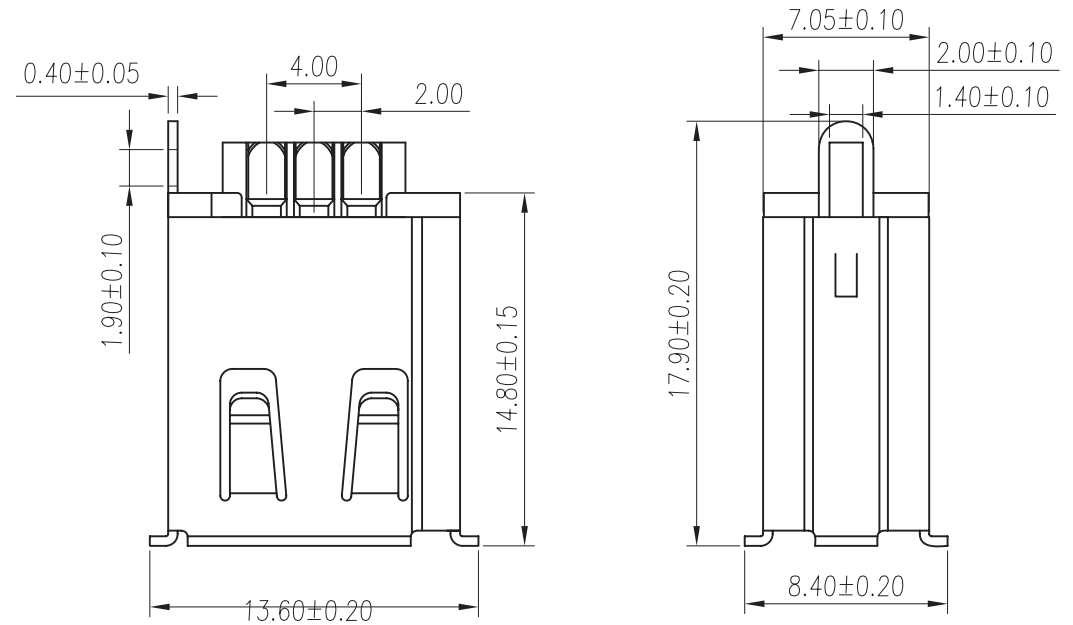
2. Specification:

- 2.1 Current rating: 1 A Max.
- 2.2 Dielectric withstanding voltage: 500 V(ac) for 1 minute.
- 2.3 Contact resistance: 30 mΩ Max.
- 2.4 Insulation resistance: 1000 MΩ Min at DC 500V.
- 2.5 Total mating force: 4.5 Kgf Max.
- 2.6 Total unmating force: 1.5 Kgf Min.
- 2.7 Temperature range: -55°C~+105°C

3. Finishes:

- 3.1 Contacts: Gold flashed 1u", 3u", 5u", 10u", 15u", 30u".
- 3.2 Shell: Tin Plated.

3	Shell	1	Brass	T=0.40mm	Tin Plated
2	Contact	6	Brass	T=0.25mm	Gold Flashed
1	Housing	1	P.B.T	UL 94-V0	Black/Ivory/Gray
No.	Name	Q'ty	Material	Remarks & Thickness	Finish



煜倫股份有限公司

www.morethanall.com

RoHS Compliant

DRAWING BY CY

CHECKED BY GENIUS

UNIT/mm SCALE 1:1

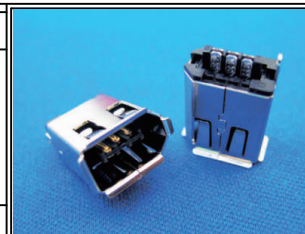
DATE

SIZE A4

PJECTION

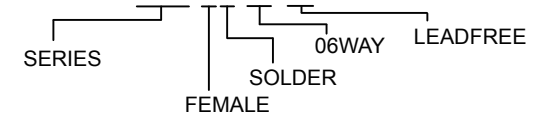
TOLERANCES ARE

- X. ±
- .X ±
- .XX ±
- .XXX ±
- ANG ±



ORDER INFORMATION

1394-SS-06-LF



DESCRIPTION: IEEE 1394-6PIN (F) SOLDER