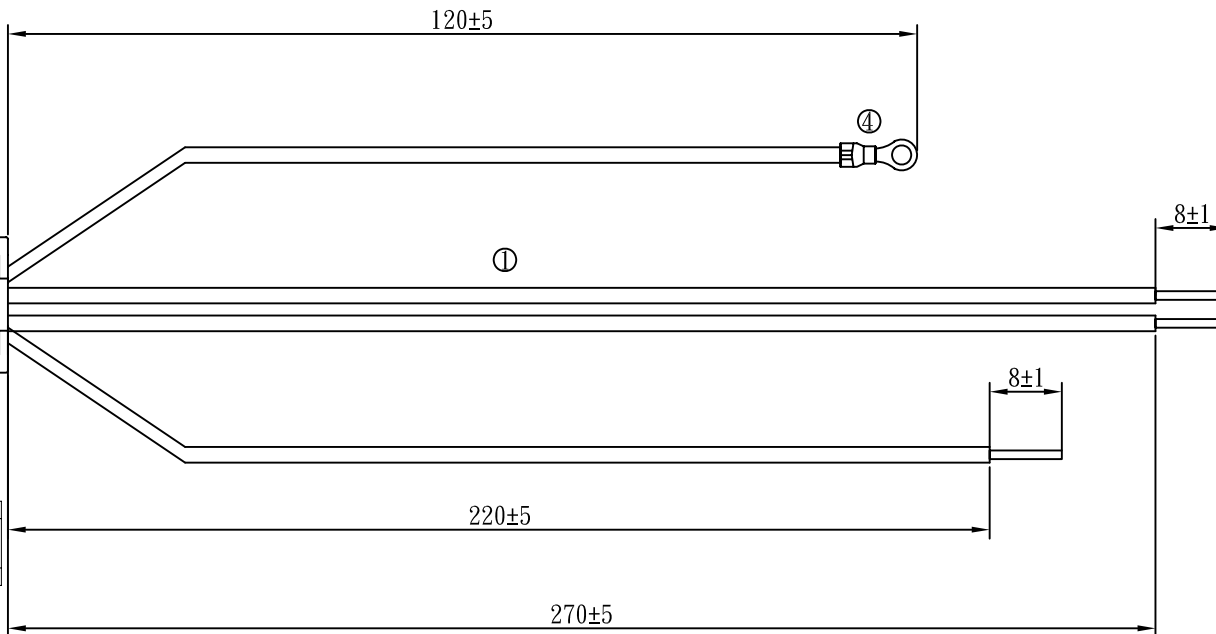
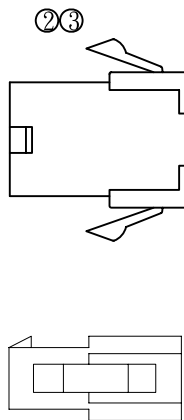


從前看

- 1. white
- 2. violet
- 3. blue
- 4. gr/ye



ITEM	PART NO	Q'TY	DESCRIPTION	VENDOR
01	WIRE	1	UL1015 18AWG GREEN/YELLOW L=135 (3.5*5)	不指定
	WIRE	1	UL1015 18AWG BLUE L=290 (3.5x8)	不指定
	WIRE	1	UL1015 18AWG VIOLET L=290(3.5x8)	不指定
	WIRE	1	UL1015 18AWG WHITE L=240 (3.5x8)	不指定
02	TER	4	5015T1	ECI or EQ.
03	H.S.G	1	5015H-04(2x2)	ECI or EQ.
04	TER	1	ROUND TERMINAL 4.3MM	不指定

RoHS Compliant

注意:尾端只剝皮不鍍錫

**MORETHANALL**  
CONNECTORS  
ASSEMBLIES

PART NO. 102605

DWG NO. 102605

FILE NO.

UNIT / mm

SCALE 1:1

CHECKED BY CY

DRAWING BY

PROJECTION

TOLERANCES ARE

.X ± 0.2  
.XX ±  
.XXX ±  
AWG

DESCRIPTION:

AREA

REVISIONS

HK

DATE

焯倫股份有限公司