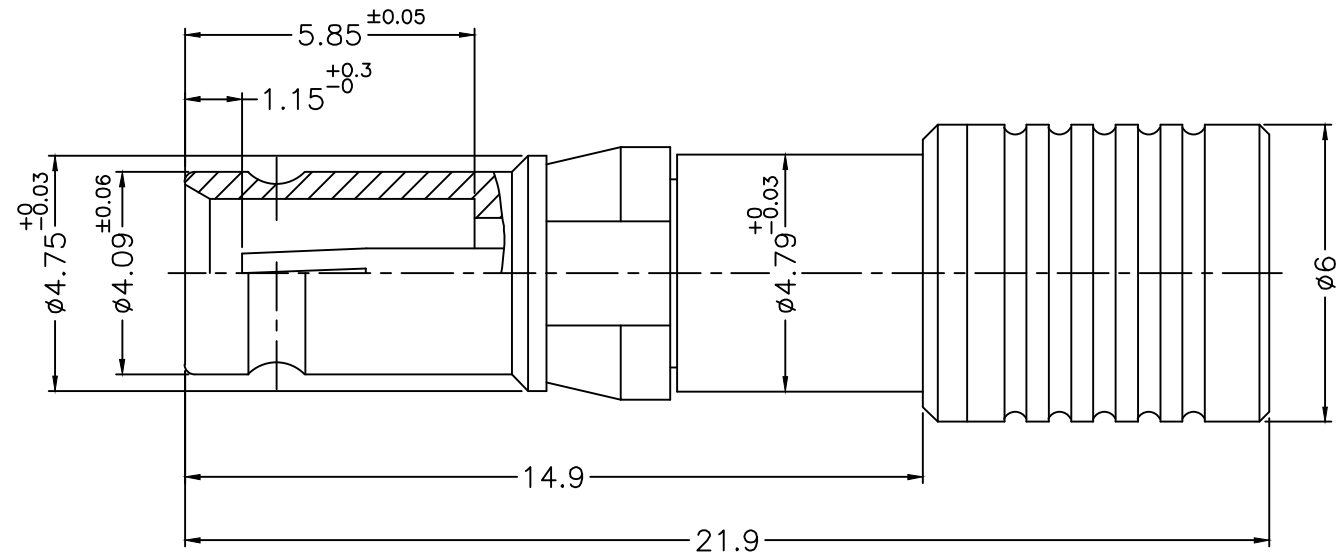


- NOTE: 1. IMPEDANCE: 50 OHM  
 2. FREQUENCY RANGE: DC - 4 GHz  
 3. VSWR: 1.2 Max.  
 4. RATED RF POWER: 0.5W



NOTES: FINISH (PLATING THICKNESS IN MICRO-INCHES)

1. BRASS
2. NICKEL PL. 100 MIN. THICK OVER COPPER PL. 50 MIN. THICK
3. THIN GOLD OVER NICKEL PL. 50 MIN. THICK OVER COPPER PL. 50 MIN. THICK
4. BERYLLIUM COPPER
5. GOLD PL. 3 MIN. THICK OVER NICKEL PL. 50 MIN. THICK OVER COPPER PL. 50 MIN. THICK
6. PTFE

6	COVER	NOTE 1	NOTE 3	1
5	RETAINER RING	NOTE 1	NOTE 2	1
4	RESISTOR			1
3	CONTACT PIN	NOTE 4	NOTE 5	1
2	INSULATOR	NOTE 6	NATURAL	1
1	BODY	NOTE 1	NOTE 3	1
NO.	DESCRIPTION	MATERIAL	FINISH	Q'TY

RoHS Compliant

TOLERANCES ARE

**MORETHANALL**  
 PCB CONNECTORS  
 Cable ASSEMBLIES

煜倫股份有限公司

www.morethanall.com

DRAWING BY CY

CHECKED BY GENIUS

UNIT / mm

SCALE 1 : 1

DATE

SIZE A4

PJECTION

0.5-6 = ±0.2  
 6-30 = ±0.4  
 30-120 = ±0.6  
 120-315 = ±1  
 315-1000 = ±1.6  
 1000-2000 = ±2.4

照片框

ORDER INFORMATION

1023-JT-50-LF  
 SERIES | T | LEADFREE  
 50 OHM  
 TERMINATOR  
 JACK

DESCRIPTION: 1.0/2.3 TERMINATOR JACK